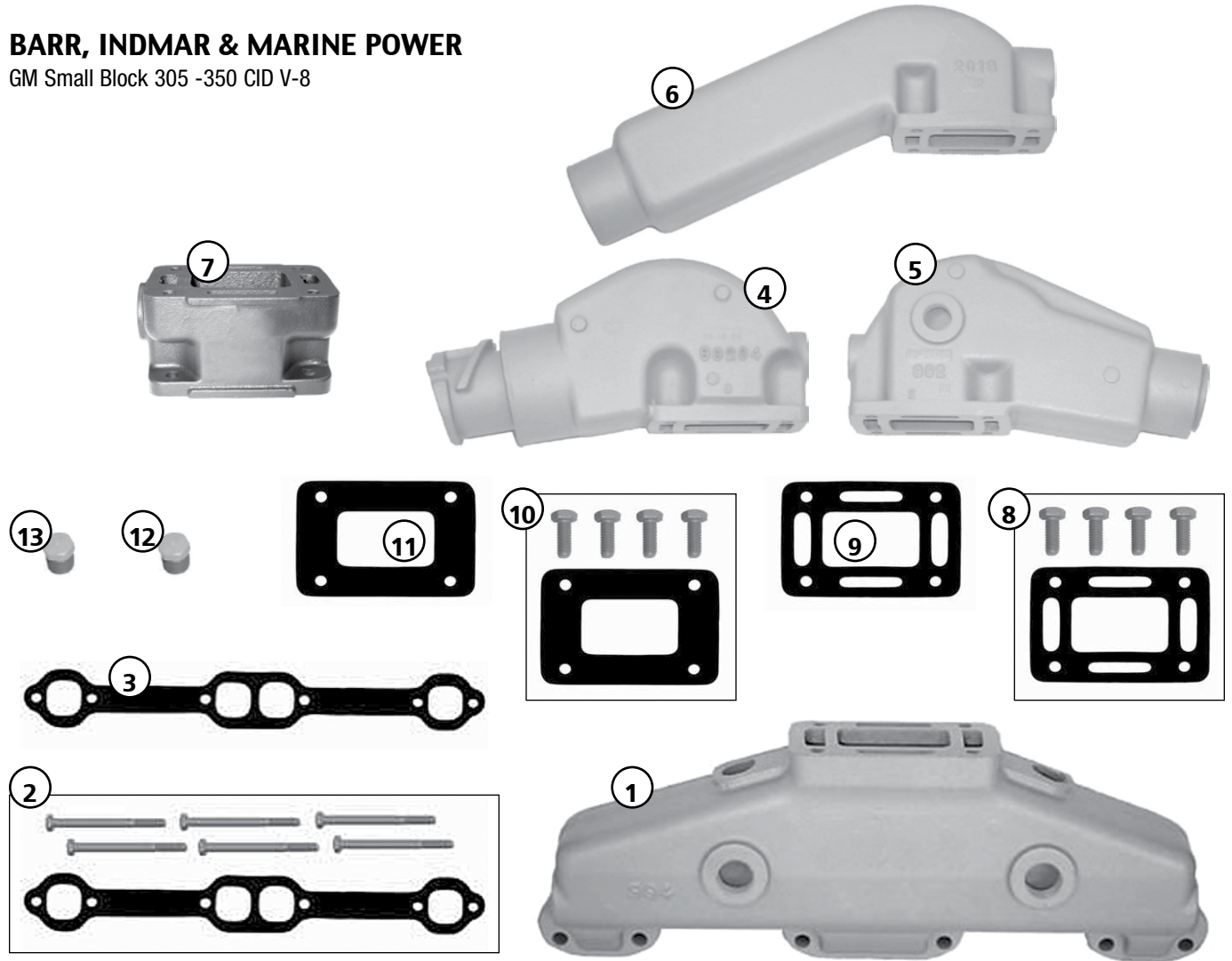




BARR, INDMAR & MARINE POWER

GM Small Block 305 -350 CID V-8



| Ref. No. | Mallory # | Description | OEM # |
|----------|-----------|---|---------------------------|
| 1 | 9-40110 | Manifold - Fits both sides 305 - 350 CID V-8 - Use mounting kit 9-40174 | CHV-1-83, 0994-000 |
| 2 | 9-40174 | Mounting Kit, Manifold - Fits 9-40110 manifold - Includes 9-61401 gasket and mounting hardware | |
| 3 | 9-61401 | Gasket, Manifold to cylinder head - Included in 9-40174 mounting kit | |
| 4 | 9-40113 | Riser - 4" Outlet - 10° down angle - Use mounting kit 9-40171 or 9-40173 | 20-0100, 0992-593 |
| 5 | 9-40100 | Riser - 3" Outlet - 10° down angle - Use mounting kit 9-40171 or 9-40173 | 0992-000 |
| 6 | 9-40112 | Riser - 3" Outlet - 30° down angle - Use mounting kit 9-40171 or 9-40173 | 20-0102, 53-2009, 53-2018 |
| 7 | 9-40130 | Spacer - 3" - Use 9-40171 or 9-40173 mounting kit - Risers 9-40100, 9-40112, and 9-40113 will require their own mounting kits | 20-0097 |
| 8 | 9-40171 | Mounting Kit, Riser and spacer - Open - Fits 9-40100, 9-40112, and 9-40113 risers and 9-40130 spacer - Includes 9-65501 open gasket and mounting hardware | |
| 9 | 9-65501 | Gasket, Riser - Open - Fits 9-40100, 9-40112, and 9-40113 risers and 9-40130 spacer - Included in 9-40171 mounting kit | 1-0107 |
| 10 | 9-40173 | Mounting Kit, Riser - Blocked - Fits 9-40100, 9-40112, and 9-40113 risers and 9-40130 spacer - Includes 9-65500 blocked gasket and mounting hardware | |
| 11 | 9-65500 | Gasket, Riser - Blocked - Fits 9-40100, 9-40112, and 9-40113 risers and 9-40130 spacer - Included in 9-40173 mounting kit | 1-0105 |
| 12 | 9-40545 | Plug, pipe - 1/4" NPT | |
| 13 | 9-40546 | Plug, pipe - 3/8" NPT | |

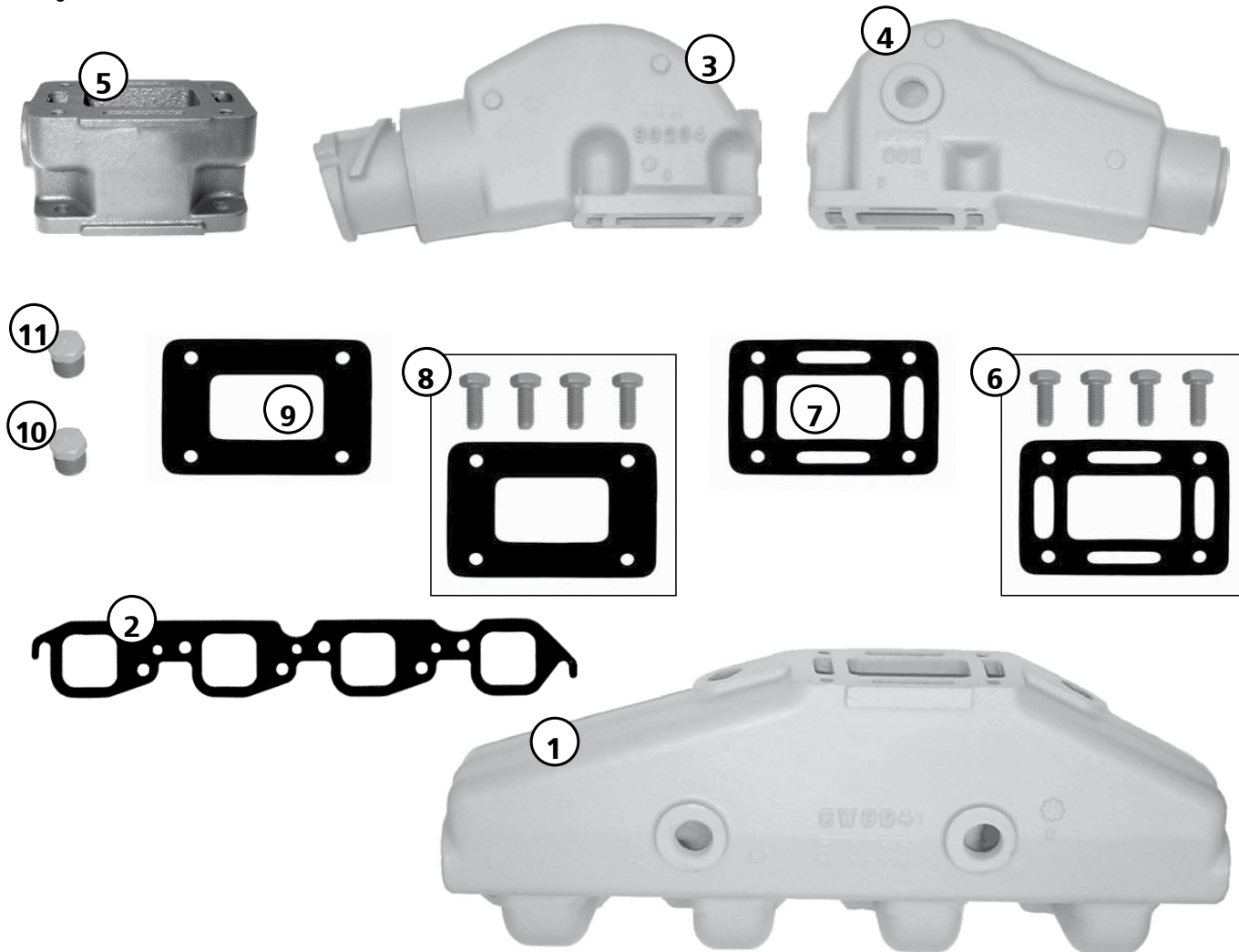


INBOARD & STERNDRIVE COOLING SYSTEM PARTS



BARR & MARINE POWER

GM Big Block 454 CID V-8

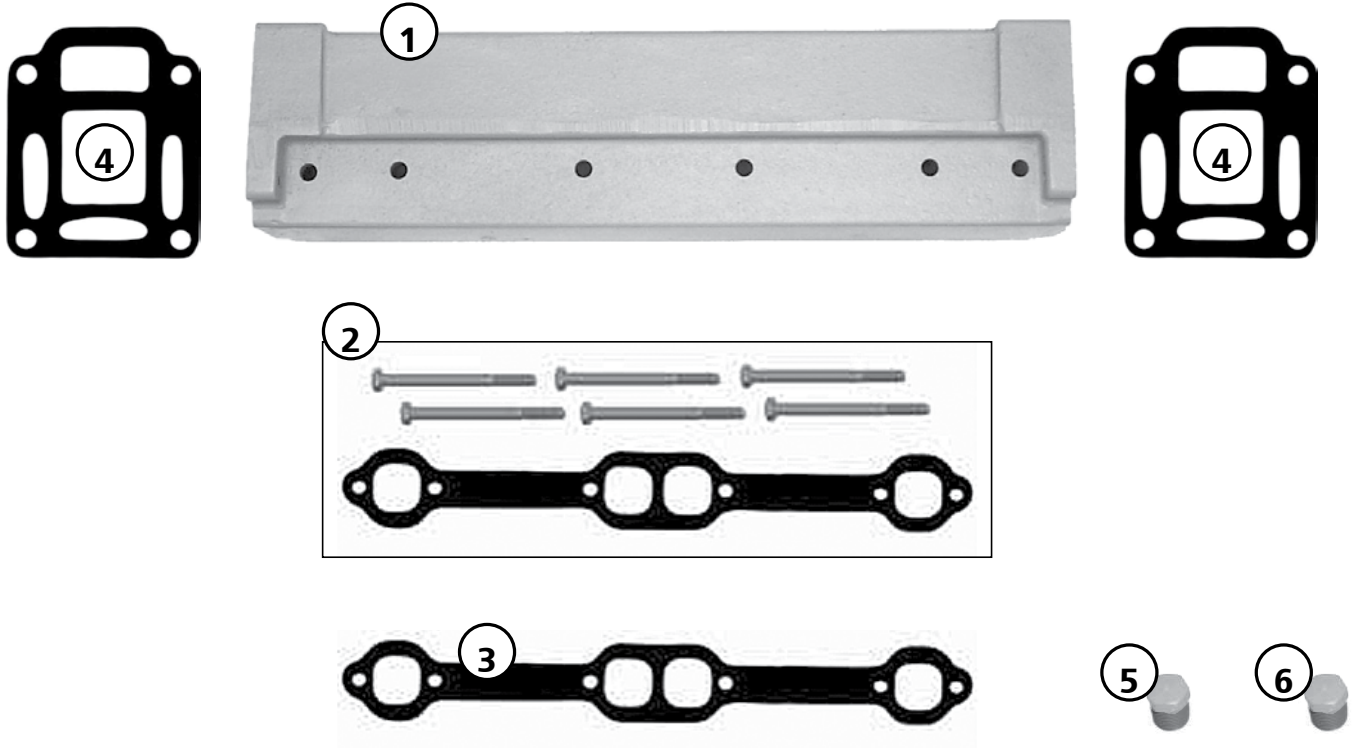


| Ref. No. | Mallory # | Description | OEM # |
|----------|-----------|---|---------------------|
| 1 | 9-40102 | Manifold - Fits both sides 454 CID V-8 | CHVA-1-84, 0991-110 |
| 2 | 9-61400 | Gasket, Manifold to cylinder head - Included in 9-40174 mounting kit | |
| 3 | 9-40113 | Riser - 4" Outlet - 10° down angle - Use mounting kit 9-40171 or 9-40173 | 20-0100, 0992-593 |
| 4 | 9-40100 | Riser - 3" Outlet - 10° down angle - Use mounting kit 9-40171 or 9-40173 | 20-0082, 0992-000 |
| 5 | 9-40130 | Spacer - 3" - Use 9-40171 or 9-40173 mounting kit - Risers 9-40100, 9-40112, and 9-40113 will require their own mounting kits | 20-0097 |
| 6 | 9-40171 | Mounting Kit, Riser and spacer - Open - Fits 9-40100 and 9-40113 risers and 9-40130 spacer - Includes 9-65501 open gasket and mounting hardware | |
| 7 | 9-65501 | Gasket, Riser - Open - Fits 9-40100 and 9-40113 risers and 9-40130 spacer - Included in 9-40171 mounting kit | 1-0107 |
| 8 | 9-40173 | Mounting Kit, Riser - Blocked - Fits 9-40100 and 9-40113 risers and 9-40130 spacer - Includes 9-65500 blocked gasket and mounting hardware | |
| 9 | 9-65500 | Gasket, Blocked - Open - Fits 9-40100 and 9-40113 risers and 9-40130 spacer - Included in 9-40173 mounting kit | 1-0107 |
| 10 | 9-40545 | Plug, pipe - 1/4" NPT | |
| 11 | 9-40546 | Plug, pipe - 3/8" NPT | |



CHRIS CRAFT

GM Small Block 283 - 350 CID V-8



| Ref. No. | Mallory # | Description | OEM # |
|----------|-----------|---|------------|
| 1 | 9-40200 | Manifold - Fits both sides 283 - 350 CID V-8 - Use 9-40270 mounting kit | 7056, 7686 |
| 2 | 9-40270 | Mounting Kit, Manifold - Includes 9-61401 gasket and mounting hardware | |
| 3 | 9-61401 | Gasket, Manifold to cylinder head - Included in 9-40270 | |
| 4 | 9-65200 | Gasket, End plate - Fits both ends of 9-40200 | |
| 5 | 9-40545 | Plug, pipe - 1/4" NPT | |
| 6 | 9-40546 | Plug, pipe - 3/8" NPT | |

*Elbows, risers and front plates not available

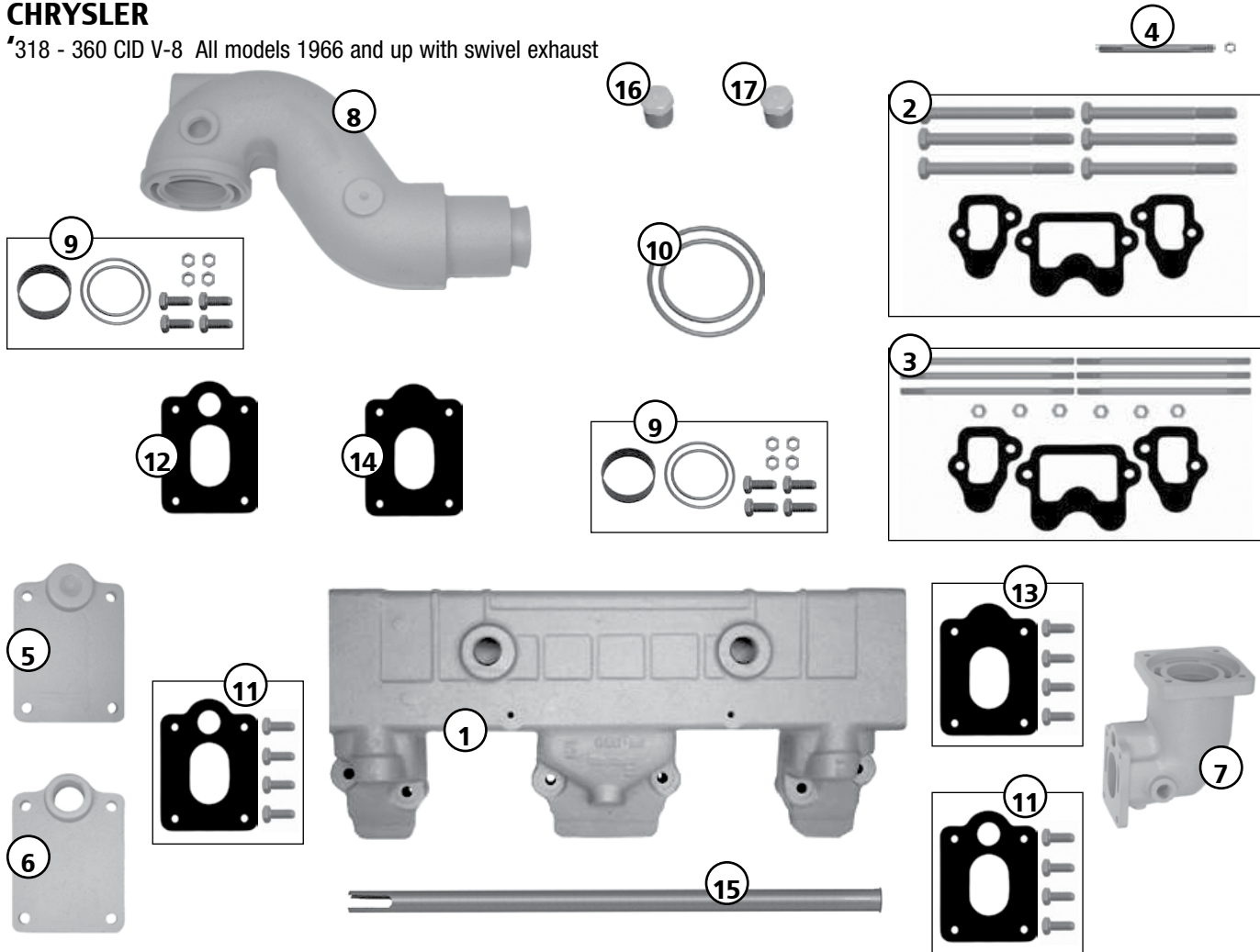


INBOARD & STERNDRIVE COOLING SYSTEM PARTS



CHRYSLER

*318 - 360 CID V-8 All models 1966 and up with swivel exhaust

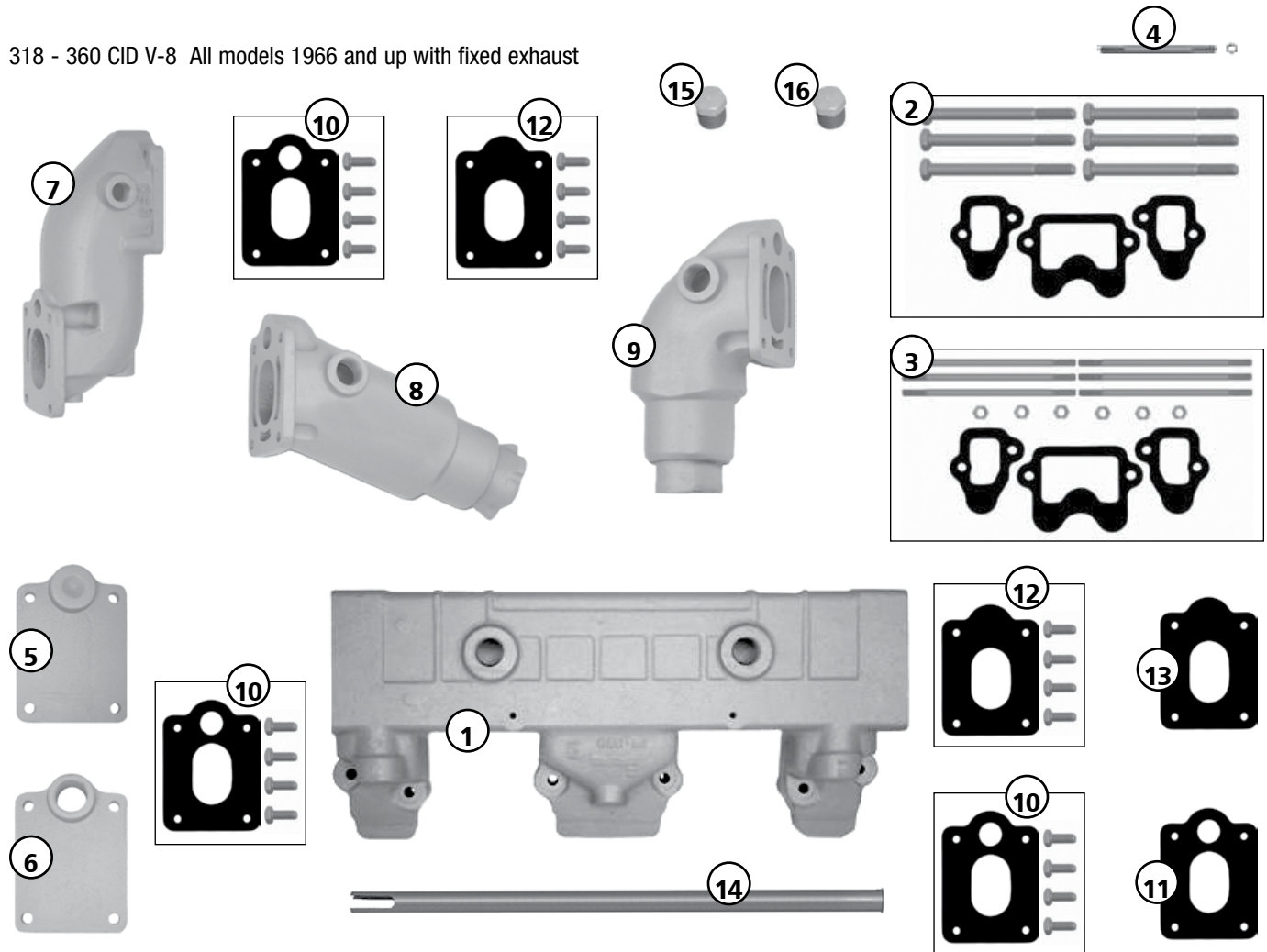


| Ref. No. | Mallory # | Description | OEM # |
|----------|-----------|--|-----------------------------------|
| 1 | 9-40303 | Manifold - Fits both sides 318-360 CID V-8 | 24695566, 3675826 |
| 2 | 9-40371 | Mounting Kit, Manifold - Fits 9-40303 manifold - Includes gasket and mounting hardware | |
| 3 | 9-40372 | Mounting Kit, Manifold - Fits 9-40303 manifold - Includes gasket and stainless studs and nuts | |
| 4 | 9-40378 | Stud and Nut Set - Stainless Steel - Sold Individually | |
| 5 | 9-40301 | Front Plate - w/o water fitting hole - Fits 9-40303 manifold - Use 9-40376 mounting kit | 2846104 |
| 6 | 9-40302 | Front Plate - 3/4" NPT hole for water fitting - Fits 9-40303 manifold | 3527896 |
| 7 | 9-40315 | Elbow, Lower - For exhaust swivel - Use 9-40376 mounting kit | 2600402 |
| 8 | 9-40311 | Riser, Swivel - 3" Exhaust outlet - 0° down angle - Use 9-40377 mounting kit | 2847404, 2847623, 3745639, E9923M |
| 9 | 9-40377 | Mounting Kit, Swivel elbow and extension - Includes 9-40374 o-ring set, stainless exhaust sleeve, and clamp set | |
| 10 | 9-40374 | O-ring, Set - One each inner and outer o-rings - Included in 9-40377 | 9225, 9226 |
| 11 | 9-40373 | Mounting Kit - Fits 9-40301, 9-40302 and 9-40315 - Includes 9-65300 gasket and mounting hardware | |
| 12 | 9-65300 | Gasket, Open - Fits end plates and elbow - Allows water to pass through into the elbow - Only one hole for water | |
| 13 | 9-40376 | Mounting kit - Fits 9-40301 and 9-40315 - Includes 9-65302 gasket and mounting hardware | |
| 14 | 9-65302 | Gasket, Blocked - Fits 9-40303 manifold - Blocks all water flow | |
| 15 | 9-40342 | Tube, Water distribution | |
| 16 | 9-40545 | Plug, pipe - 1/4" NPT | |
| 17 | 9-40546 | Plug, pipe - 3/8" NPT | |



CHRYSLER

318 - 360 CID V-8 All models 1966 and up with fixed exhaust



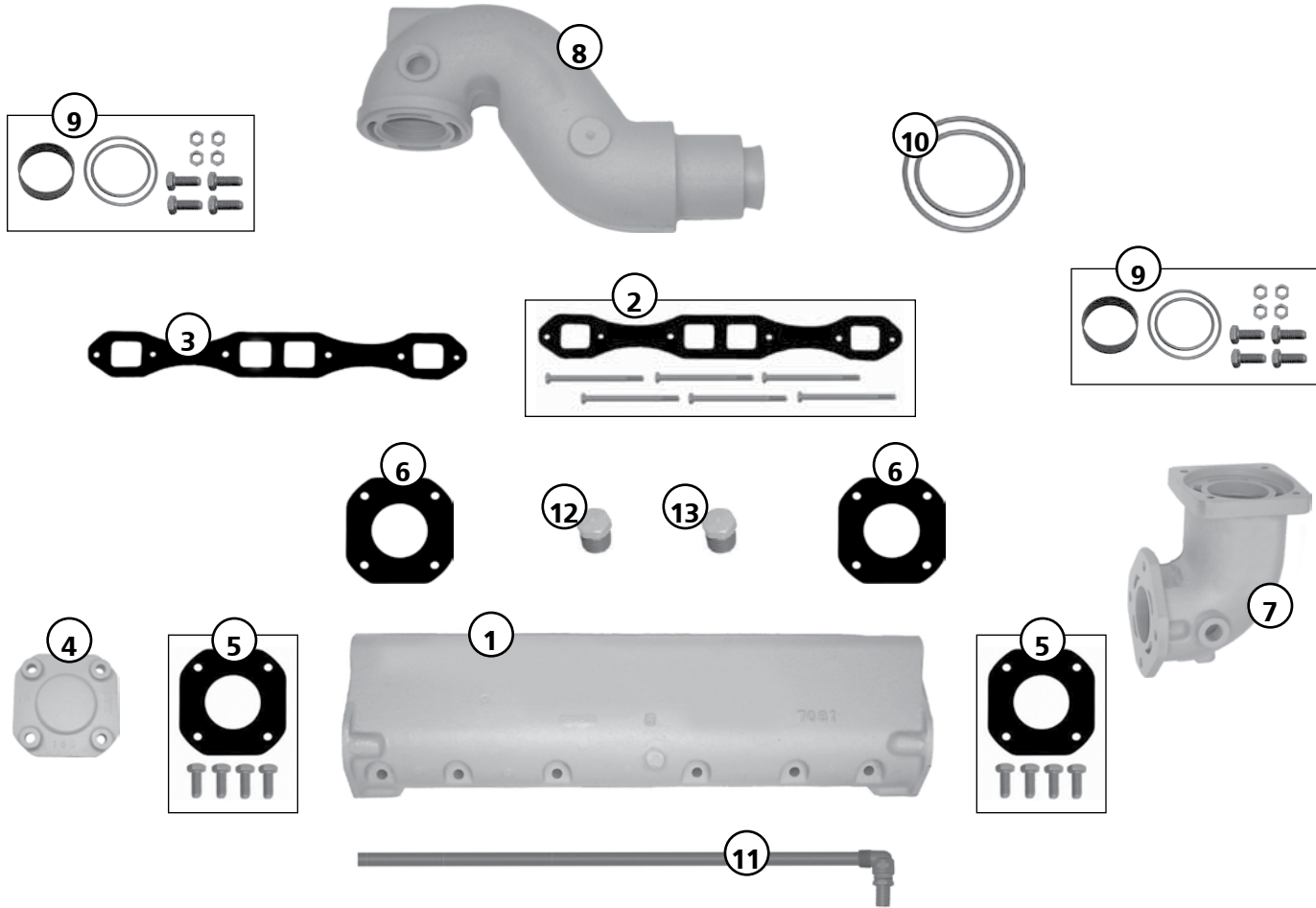
| Ref. No. | Mallory # | Description | OEM # |
|----------|-----------|---|-------------------|
| 1 | 9-40303 | Manifold - Fits both sides 318 - 360 CID V-8 | 24695566, 3675826 |
| 2 | 9-40371 | Mounting Kit, Manifold - Fits 9-40303 manifold - Includes gasket and mounting hardware | |
| 3 | 9-40372 | Mounting Kit, Manifold - Fits 9-40303 manifold - Includes gasket and stainless studs and nuts | |
| 4 | 9-40378 | Stud and Nut Set - Stainless Steel - Sold Individually | |
| 5 | 9-40301 | Front Plate - w/o water fitting hole - Fits 9-40303 manifold - Use 9-40373 or 9-40376 mounting kit | 2846104 |
| 6 | 9-40302 | Front Plate - 3/4" IPT hole for water fitting - Fits 9-40303 manifold | 3527896 |
| 7 | 9-40312 | Riser - Use with 9-40310 and 9-40313 elbows - Use 9-40373 or 9-40376 mounting kit | 2846689 |
| 8 | 9-40313 | Elbow - 3" Exhaust outlet - 20° down angle - Use 9-40373 or 9-40376 mounting kit - Used for inboard applications | 3527794 |
| 9 | 9-40310 | Elbow - 3" Exhaust outlet - 90° down angle - Use 9-40373 or 9-40376 mounting kit - Used for I/O applications | 2469639, 2847405 |
| 10 | 9-40373 | Mounting Kit - Fits 9-40301, 9-40302, 9-40310, 9-40312, and 9-40313 - Includes 9-65300 gasket and mounting hardware | |
| 11 | 9-65300 | Gasket, Open - Fits end plates and elbow - Allows water to pass through into the elbow - Only one hole for water | |
| 12 | 9-40376 | Mounting kit - Fits 9-40301 and 9-40315 - Includes 9-65302 gasket and mounting hardware | |
| 13 | 9-65302 | Gasket, Blocked - Fits 9-40303 manifold - Blocks all water flow | |
| 14 | 9-40342 | Tube, Water distribution | |
| 15 | 9-40545 | Plug, pipe - 1/4" NPT | |
| 16 | 9-40546 | Plug, pipe - 3/8" NPT | |

INBOARD & STERNDRIVE COOLING SYSTEM PARTS



CHRYSLER

383 - 440 CID V-8 All models except 413"E" with staggered bolt pattern

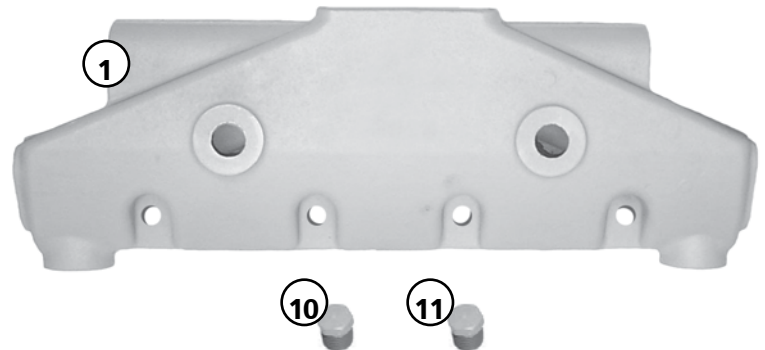
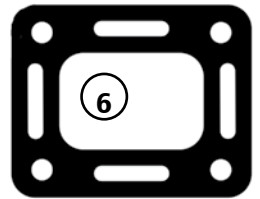
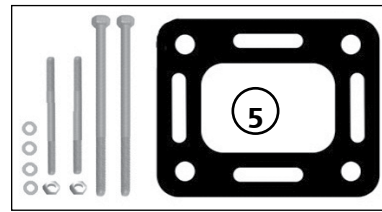
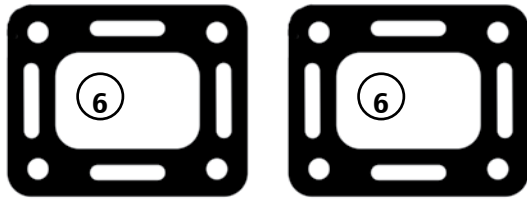
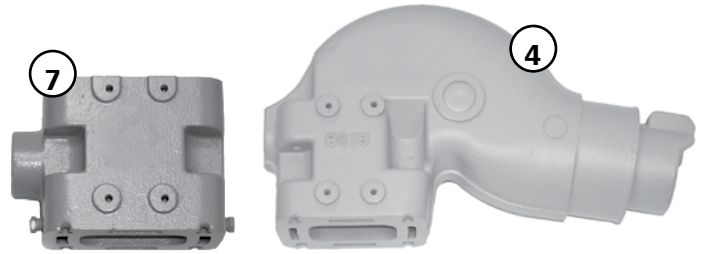
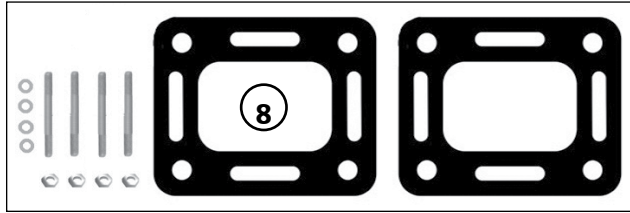


| Ref. No. | Mallory # | Description | OEM # |
|----------|-----------|---|-----------------------------------|
| 1 | 9-40300 | Manifold - Fits both sides 383 - 440 CID V-8 | E7081M, 3619659 |
| 2 | 9-40370 | Mounting Kit, Manifold - Fits 9-40300 manifold - Includes gasket and mounting hardware | |
| 3 | 9-65303 | Gasket, Manifold to cylinder head - Included in 9-40370 mounting kit | |
| 4 | 9-40340 | Front Plate - Use 9-40375 mounting kit | |
| 5 | 9-40375 | Mounting Kit - For 9-40340 and 9-40314 - Includes 9-65301 gasket and mounting hardware | |
| 6 | 9-65301 | Gasket - Fits both ends of 9-40300 - Included in 9-40375 - No holes for water flow | |
| 7 | 9-40314 | Elbow, Lower - For exhaust swivel - Use 9-40375 mounting kit | E9234M |
| 8 | 9-40311 | Riser, Swivel - 3" Exhaust outlet - 0° down angle - Use 9-40377 mounting kit | 2847404, 2847623, 3745639, E9923M |
| 9 | 9-40377 | Mounting Kit, Swivel elbow and extension - Includes 9-40374 o-ring set, stainless exhaust sleeve, and clamp set | |
| 10 | 9-40374 | O-ring, Set - One each inner and outer o-rings - Included in 9-40377 | 9225, 9226 |
| 11 | 9-40341 | Tube, Water distribution | |
| 12 | 9-40545 | Plug, pipe - 1/4" NPT | |
| 13 | 9-40546 | Plug, pipe - 3/8" NPT | |



CRUSADER

305 - 350 CID V-8 CM305, CM350XL, CM350HT



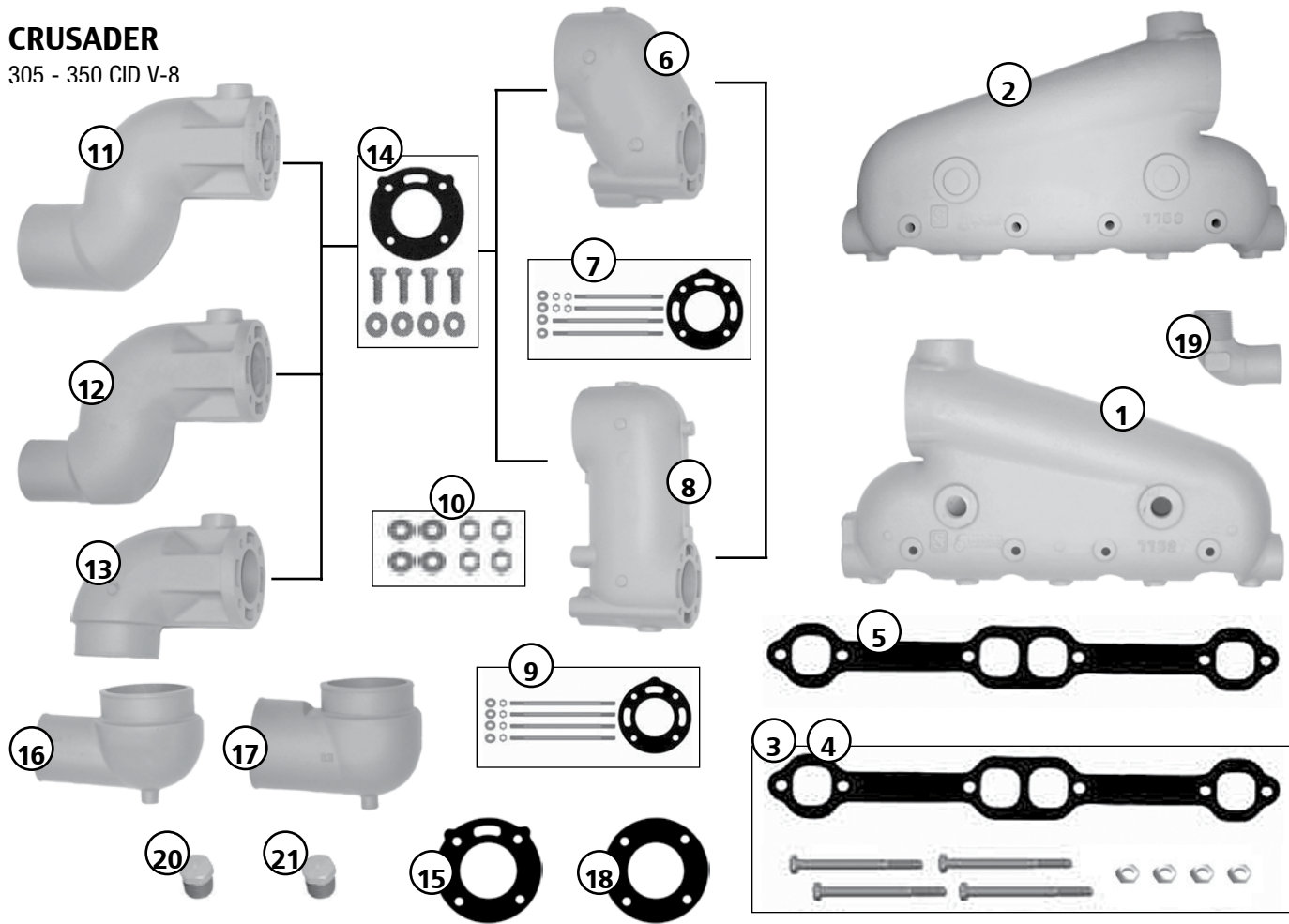
| Ref. No. | Mallory # | Description | OEM # |
|----------|-----------|---|----------------|
| 1 | 9-40404 | Manifold - Fits both sides of 305 - 350 CID V-8 | 98243 |
| 2 | 9-40475 | Mounting Kit, Manifold - Fits 9-40404 manifold - Includes 9-61401 gasket and mounting hardware | |
| 3 | 9-61401 | Gasket, Manifold to cylinder head - Included in 9-40475 mounting kit | 96306 |
| 4 | 9-40419 | Riser - 4" Exhaust outlet - 10° down angle - Use mounting kit 9-40479 - Crusader low profile riser 98126 (6 3/4" high) is replaced by 9-40419 (8 1/4" high) | R029015, 98126 |
| 5 | 9-40479 | Mounting Kit, Riser - Fits 9-40419 riser - Includes 9-65402 gasket and mounting hardware | |
| 6 | 9-65402 | Gasket, Riser - Included in 9-40479 mounting kit | 98127 |
| 7 | 9-40430 | Spacer - 4" - Use 9-40478 mounting kit | 98128 |
| 8 | 9-40478 | Mounting Kit, Spacer - Mounts the 9-40430 spacer to the 9-40404 manifold - Includes (2) 9-65402 gaskets and mounting hardware - The 9-40419 riser will require its own mounting kit | |
| 9 | 9-40418 | Water Fitting - 90° elbow - 1" NPT x 1 1/4" hose barb - One required for open (fresh water) cooled manifolds - Two required for closed cooled manifolds | 97854 |
| 10 | 9-40545 | Plug, pipe - 1/4" NPT | |
| 11 | 9-40546 | Plug, pipe - 3/8" NPT | |



INBOARD & STERNDRIVE COOLING SYSTEM PARTS



CRUSADER 305 - 350 CID V-8



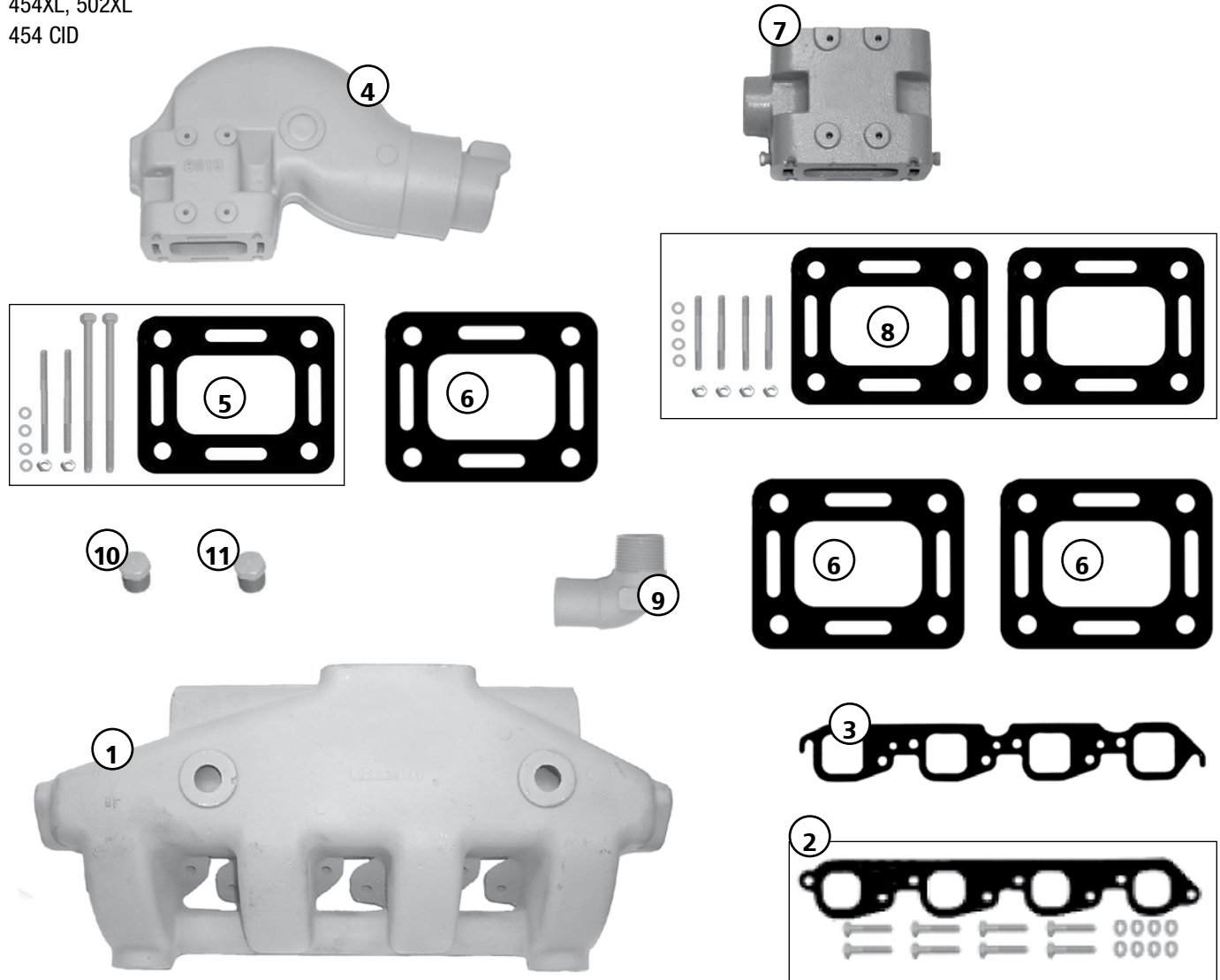
| Ref. No. | Mallory # | Description | OEM # |
|----------|-----------|---|--------------|
| 1 | 9-40414 | Manifold, Starboard - Fits 305-350 CID V-8 | 97752, 96120 |
| 2 | 9-40400 | Manifold, Port - Fits 305-350 CID V-8 | 97753, 96121 |
| 3 | 9-40471 | Mounting Kit, Manifold - Fits 9-40400 and 9-40414 manifolds w/o alternator bracket - Includes 9-61401 gasket and mounting hardware | |
| 4 | 9-40472 | Mounting Kit, Manifold - Fits 9-40400 and 9-40414 manifolds w/alternator bracket - Includes 9-61401 gasket and mounting hardware | |
| 5 | 9-61401 | Gasket, Manifold to cylinder head - Included in 9-40471 and 9-40472 mounting kits | 96306 |
| 6 | 9-40401 | Riser - 4" - Use mounting kit 9-40477 | 97772 |
| 7 | 9-40477 | Mounting Kit, Riser - Fits 9-40401 riser - Includes gasket and mounting hardware | |
| 8 | 9-40410 | Riser - 8" - Use mounting kit 9-40476 | 97169 |
| 9 | 9-40476 | Mounting Kit, Riser - Fits 9-40410 riser - Includes gasket and mounting hardware | |
| 10 | 9-40480 | Nut and Washer Kit - 4 sealing washers and lock nuts - Replace after removal | |
| 11 | 9-40415 | Elbow, 4" Outlet - Use 9-40470 mounting kit | 97924 |
| 12 | 9-40417 | Elbow, 3" Outlet - Use 9-40470 mounting kit | 98068 |
| 13 | 9-40411 | Elbow, Jacketed upper for swivel - Use 9-40470 mounting kit | 97386 |
| 14 | 9-40470 | Mounting Kit, Elbow - Fits 9-40411, 9-40415, and 9-40417 - Includes 9-65401 gasket and mounting hardware | |
| 15 | 9-65401 | Gasket, Elbow - 1 hole for water - Used with 9-40411, 9-40415, and 9-40417 elbows | 96562 |
| 16 | 9-40412 | Elbow, Lower swivel - 3" Outlet | 97387 |
| 17 | 9-40413 | Elbow, Lower swivel - 4" Outlet | 97624 |
| 18 | 9-40440 | Stainless Plate, block off - Separates fresh water from raw water - Requires one plate and 2 gaskets per manifold | 97296 |
| 19 | 9-40418 | Water Fitting - 90° elbow - 1" NPT x 1 1/4" hose barb - One required for open (fresh water) cooled manifolds - Two required for closed cooled manifolds | 97854 |
| 20 | 9-40545 | Plug, pipe - 1/4" NPT | |
| 21 | 9-40546 | Plug, pipe - 3/8" NPT | |



CRUSADER

454XL, 502XL

454 CID



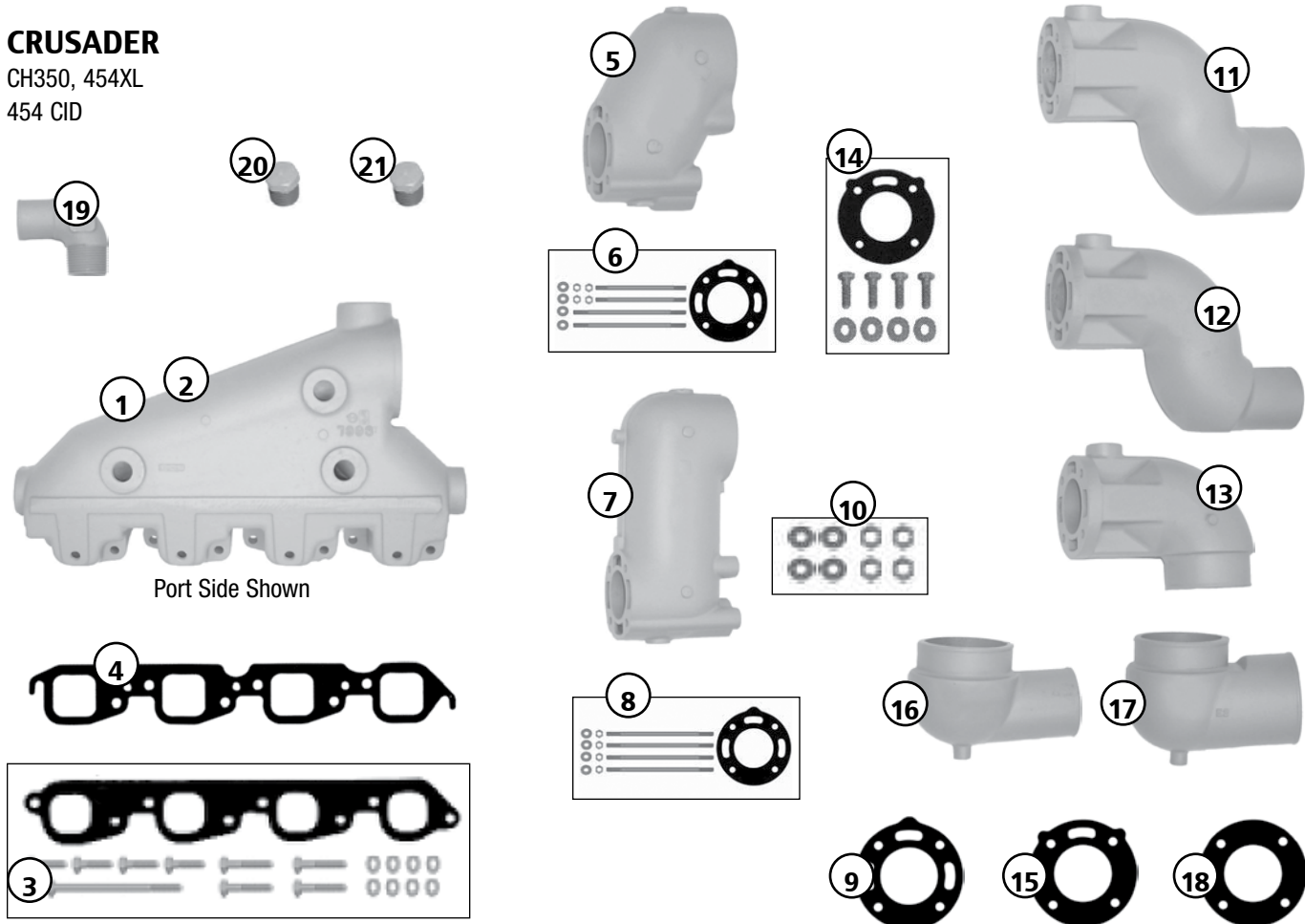
| Ref. No. | Mallory # | Description | OEM # |
|----------|-----------|---|----------------|
| 1 | 9-40403 | Manifold - Fits both sides of 454 CID V-8 | 98125 |
| 2 | 9-40474 | Mounting Kit, Manifold - Fits 9-40403 manifold - Includes 9-61400 gasket and mounting hardware | |
| 3 | 9-61400 | Gasket, Manifold to cylinder head - Included in 9-40474 mounting kit | 96653 |
| 4 | 9-40419 | Riser - 4" Exhaust outlet - 10° down angle - Use mounting kit 9-40479 - Crusader low profile riser 98126 (6 3/4" high) is replaced by 9-40419 (8 1/4" high) | R029015, 98126 |
| 5 | 9-40479 | Mounting Kit, Riser - Fits 9-40419 riser - Includes 9-65402 gasket and mounting hardware | |
| 6 | 9-65402 | Gasket, Riser - Included in 9-40479 mounting kit | 98127 |
| 7 | 9-40430 | Spacer - 4" - Use 9-40478 mounting kit | 98128 |
| 8 | 9-40478 | Mounting Kit, Spacer - Mounts the 9-40430 spacer to the 9-40403 manifold - Includes (2) 9-65402 gaskets and mounting hardware - The 9-40419 riser will require its own mounting kit | |
| 9 | 9-40418 | Water Fitting - 90° elbow - 1" NPT x 1 1/4" hose barb - One required for open (fresh water) cooled manifolds - Two required for closed cooled manifolds | 97854 |
| 10 | 9-40545 | Plug, pipe - 1/4" NPT | |
| 11 | 9-40546 | Plug, pipe - 3/8" NPT | |

INBOARD & STERNDRIVE COOLING SYSTEM PARTS



CRUSADER

CH350, 454XL
454 CID

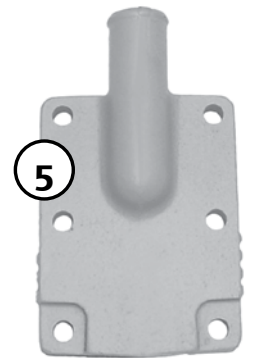
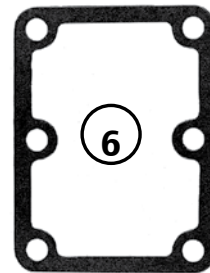
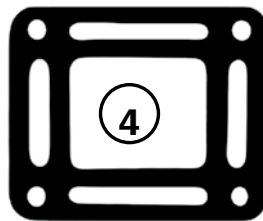
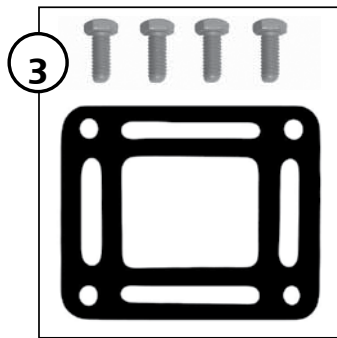
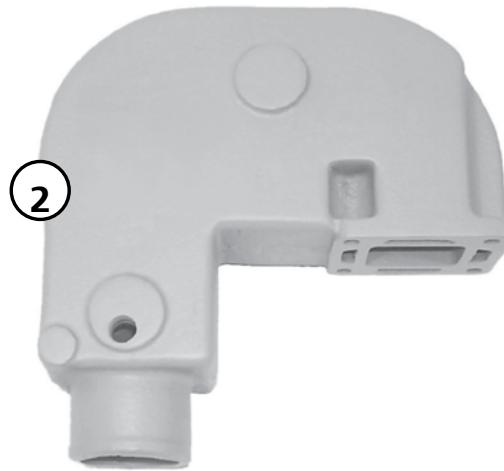


| Ref. No. | Mallory # | Description | OEM # |
|----------|-----------|---|--------------|
| 1 | 9-40416 | Manifold, Starboard - Fits 454 CID V-8 | 97992, 97114 |
| 2 | 9-40402 | Manifold, Port - Fits 454 CID V-8 | 97993, 97115 |
| 3 | 9-40473 | Mounting Kit, Manifold - Fits 9-40402 and 9-40416 manifolds - Includes 9-61400 gasket and mounting hardware | |
| 4 | 9-61400 | Gasket, Manifold to cylinder head - Included in 9-40473 | 96653 |
| 5 | 9-40401 | Riser - 4" - Use 9-40477 mounting kit | 97772 |
| 6 | 9-40477 | Mounting Kit, Riser - Fits 9-40401 riser - Includes 9-65400 gasket and mounting hardware | |
| 7 | 9-40410 | Riser - 8" - Use 9-40476 mounting kit | 97169 |
| 8 | 9-40476 | Mounting Kit, Riser - Fits 9-40410 riser - Includes 9-65400 gasket and mounting hardware | |
| 9 | 9-65400 | Gasket, Riser - 3 holes for water - Used with manifold with 9-40401 and 9-40410 risers - Included in 9-40476 and 9-40477 mounting kits | |
| 10 | 9-40480 | Nut and Washer Kit - 4 sealing washers and lock nuts - Replace after removal | |
| 11 | 9-40415 | Elbow, 4" Outlet - Use 9-40470 mounting kit | 97924 |
| 12 | 9-40417 | Elbow, 3" Outlet - Use 9-40470 mounting kit | 98068 |
| 13 | 9-40411 | Elbow, Jacketed upper for swivel - Use 9-40470 mounting kit | 97386 |
| 14 | 9-40470 | Mounting Kit, Elbow - Fits 9-40411, 9-40415, and 9-40417 - Includes 9-65401 gasket and mounting hardware | |
| 15 | 9-65401 | Gasket, Elbow - 1 hole for water - Used with 9-40411, 9-40415, and 9-40417 elbows - Included in 9-40470 mounting kit | 96562 |
| 16 | 9-40412 | Elbow, Lower swivel - 3" Outlet | 97387 |
| 17 | 9-40413 | Elbow, Lower swivel - 4" Outlet | 97624 |
| 18 | 9-40440 | Stainless Plate, block off - Separates fresh water from raw water - Requires one plate and two gaskets per manifold | 97296 |
| 19 | 9-40418 | Water Fitting - 90° elbow - 1" NPT x 1 1/4" hose barb - One required for open (fresh water) cooled manifolds - Two required for closed cooled manifolds | 97854 |
| 20 | 9-40545 | Plug, pipe - 1/4" NPT | |
| 21 | 9-40546 | Plug, pipe - 3/8" NPT | |



MERCRUISER

110 & 120
153 CID
Early models



| Ref. No. | Mallory # | Description | OEM # |
|----------|-----------|--|--------------|
| 1 | 9-61426 | Gasket, Manifold to cylinder head | 27-52546 |
| 2 | 9-40553 | Riser - 2.5" exhaust outlet - 90° down angle | 39920, 55538 |
| 3 | 9-40571 | Mounting Kit, Riser - Fits 9-40553 Riser | |
| 4 | 9-61423 | Gasket, Riser - Included in 9-40571 | 27-39915 |
| 5 | 9-40543 | Front Plate, w/Water fitting | 47638 |
| 6 | 9-61408 | Gasket, Front Plate | 27-39917 |
| 7 | 9-40545 | Plug, pipe - 1/4" NPT | |
| 8 | 9-40546 | Plug, pipe - 3/8" NPT | |



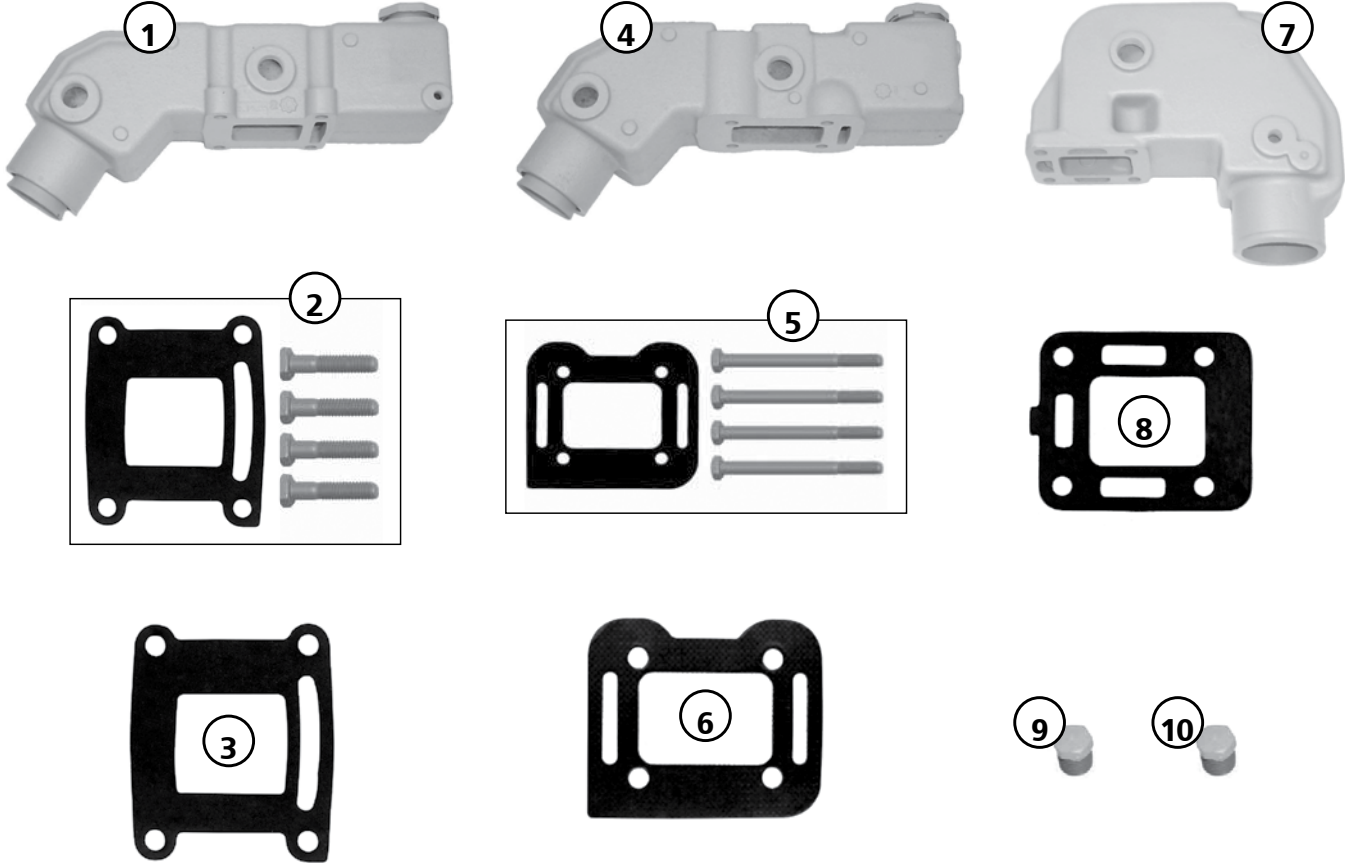
INBOARD & STERNDRIVE COOLING SYSTEM PARTS



MERCRUISER

165, 170, 180, 190

224 CID 3.7L



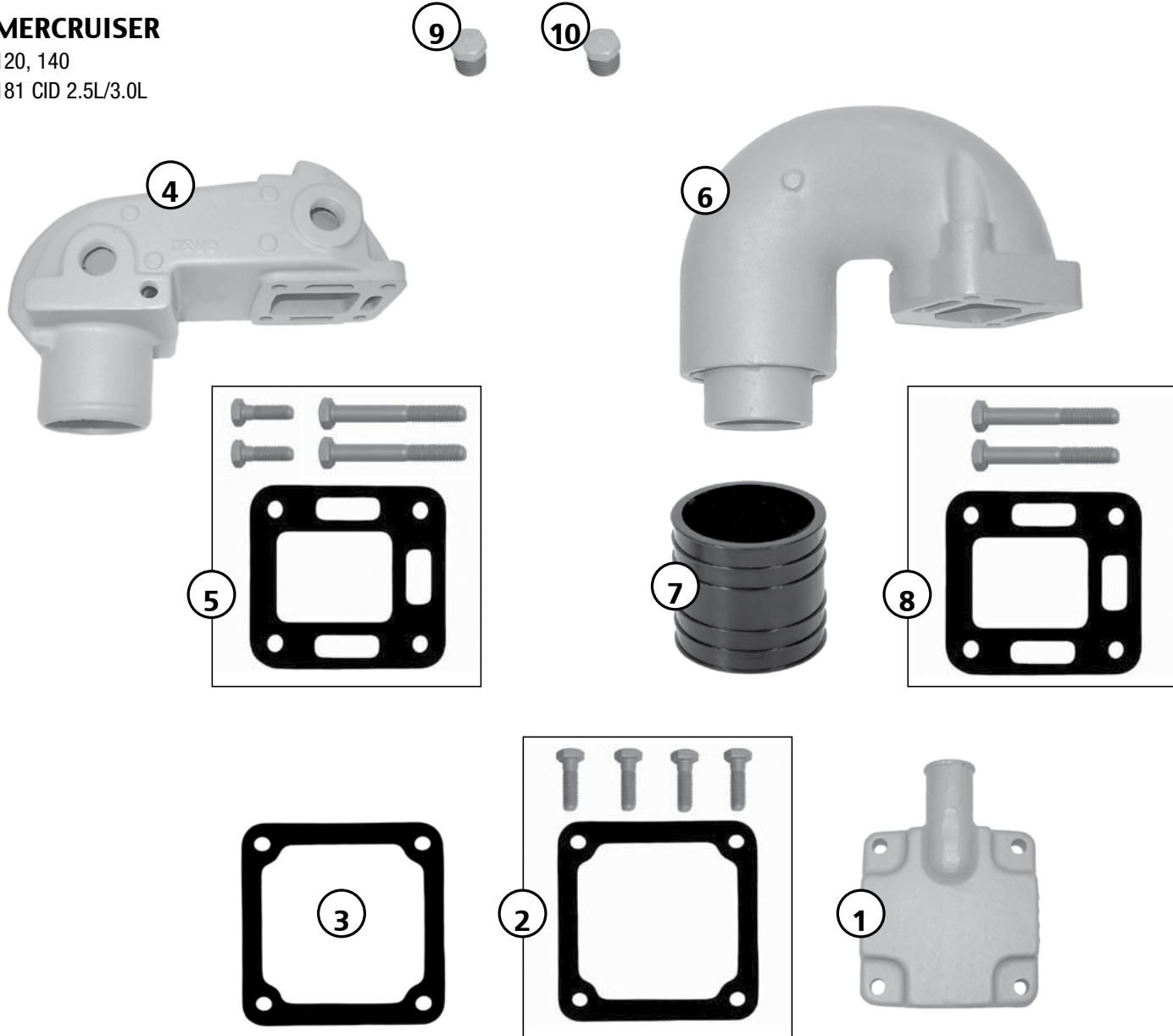
| Ref. No. | Mallory # | Description | OEM # |
|----------|-----------|---|----------|
| 1 | 9-40550 | Elbow/Reservoir - Fits Mercruiser cast iron manifold 99908 | 90880 |
| 2 | 9-40577 | Mounting Kit, Elbow/Reservoir - Fits 9-40550 Elbow/Reservoir - Includes 9-61411 Gasket and mounting hardware | |
| 3 | 9-61441 | Gasket, Elbow/Reservoir - Fits 9-40550 Elbow/Reservoir - Included in 9-40577 | 27-97542 |
| 4 | 9-40551 | Elbow/Reservoir - Fits Mercruiser manifold 93174 - Cap Included - Use 9-40581 Mounting kit - Fitting not included | 98561 |
| 5 | 9-40581 | Mounting Kit, Elbow/Reservoir - Fits 9-40551 Elbow/Reservoir - Includes 9-61412 Gasket and mounting hardware | |
| 6 | 9-61412 | Gasket, Elbow/Reservoir - Fits 9-40551 Elbow/Reservoir - Included in 9-40581 | 27-18272 |
| 7 | 9-40558 | Elbow - Fits early Mercruiser 470 w/o reservoir - Use 9-61407 gasket | |
| 8 | 9-61407 | Gasket, Elbow/Reservoir - Fits 9-40558 Elbow | |
| 9 | 9-40545 | Plug, pipe - 1/4" NPT | |
| 10 | 9-40546 | Plug, pipe - 3/8" NPT | |



MERCURISER

120, 140

181 CID 2.5L/3.0L



| Ref. No. | Mallory # | Description | OEM # |
|----------|-----------|--|-----------|
| 1 | 9-40541 | Front Plate - w/Water fitting | 60252 |
| 2 | 9-40570 | Mounting Kit, End Plate - Fits 9-40541 - Includes 9-61424 Gasket and mounting hardware | |
| 3 | 9-61424 | Gasket, End Plate - Included in 9-40570 mounting kit | 27-48043 |
| 4 | 9-40552 | Riser - 3" exhaust outlet - 90° down angle - Use 9-40586 mounting kit - Replaces Mercruiser 76325 used with angled adapter - The adapter is no longer available - See note below | |
| 5 | 9-40586 | Mounting Kit, Riser - Fits 9-40552 Riser - Includes gasket and mounting hardware | |
| 6 | 9-40555 | Riser - 4" exhaust outlet - 90° down angle - Replaces 2-piece offset adapter and risers 95863 and 76325 - Use 9-40585 mounting kit - See note below | 12076 |
| 7 | 9-72805 | Bellows, Exhaust - 4" I.D. | 32-44348T |
| 8 | 9-40585 | Mounting Kit, Riser - Fits 9-40555 Riser - Includes gasket and mounting hardware | |
| 9 | 9-40545 | Plug, pipe - 1/4" NPT | |
| 10 | 9-40546 | Plug, pipe - 3/8" NPT | |

Note: 9-40555 riser replaces the early Mercruiser 2-piece assembly using 76325 riser (Mallory 9-40552) with an off-set adapter 95863 - The adapter is no longer available



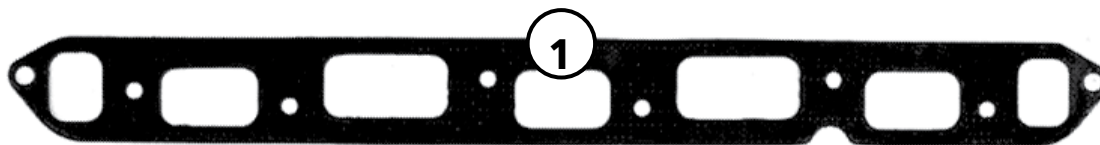
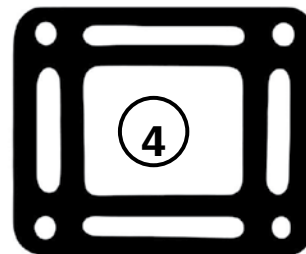
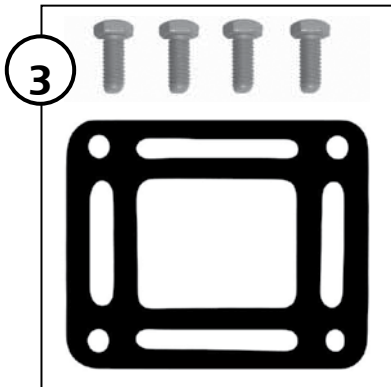
INBOARD & STERNDRIVE COOLING SYSTEM PARTS



MERCUISER

160 (With Mercruiser 39920, 55538 Risers)

250 CID



| Ref. No. | Mallory # | Description | OEM # |
|----------|-----------|--|--------------|
| 1 | 9-61416 | Gasket, Manifold to engine cylinder head | 27-46401 |
| 2 | 9-40553 | Riser - 2.5" Exhaust outlet - 90° Down angle - Use 9-40571 Mounting kit | 39920, 55538 |
| 3 | 9-40571 | Mounting Kit, Riser - Fits 9-40553 riser - Includes 9-61423 gasket and mounting hardware | |
| 4 | 9-61423 | Gasket, Riser - Included in 9-40571 mounting kit | |
| 5 | 9-40545 | Plug, pipe - 1/4" NPT | |
| 6 | 9-40546 | Plug, pipe - 3/8" NPT | |

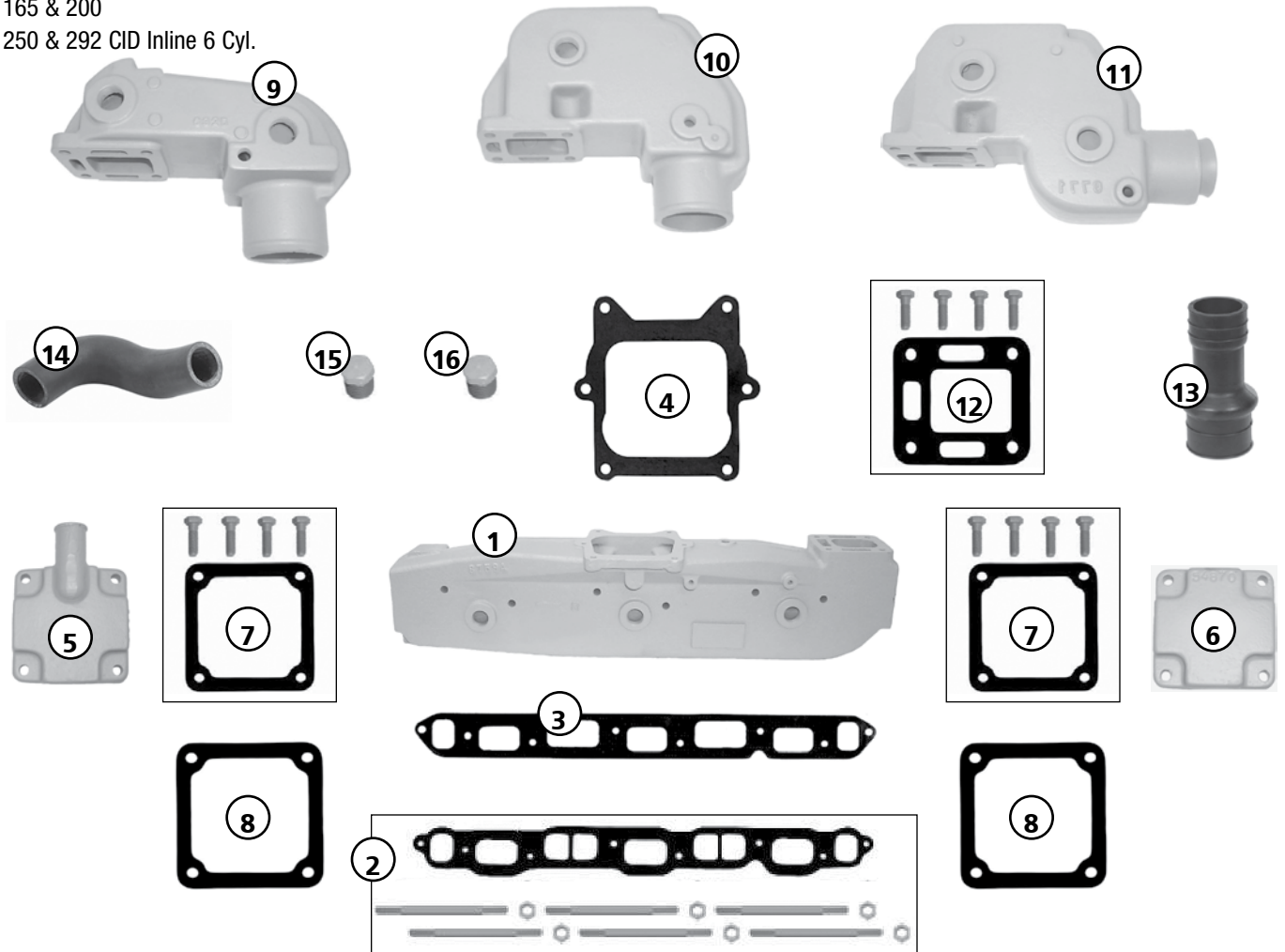


MERCURISER

DO NOT USE THIS MANIFOLD IN CLOSED COOLING APPLICATIONS

165 & 200

250 & 292 CID Inline 6 Cyl.



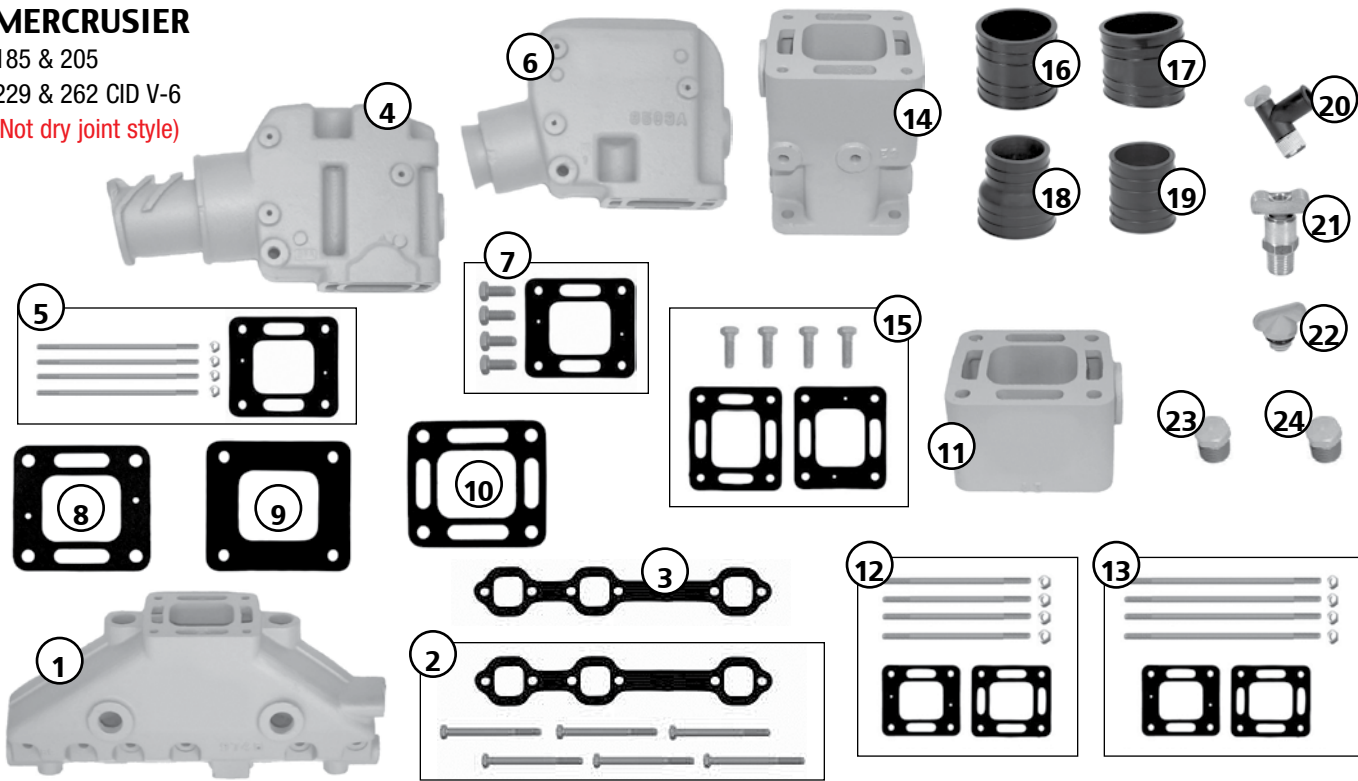
| Ref. No. | Mallory # | Description | OEM # |
|----------|-----------|--|---------------------|
| 1 | 9-40500 | Manifold - 250 and 292 CID in-line 6 cylinder engines - Use mounting kit 9-40574 *DO NOT USE THIS MANIFOLD ON CLOSED COOLING APPLICATIONS* | 58759 |
| 2 | 9-40574 | Mounting Kit, Manifold - Fits 9-40500 manifold - Includes 9-61416 gasket and hardware | |
| 3 | 9-61416 | Gasket, Manifold to cylinder head - Included in 9-40574 mounting kit | 27-46401 |
| 4 | 9-61005 | Gasket, Carb adapter to manifold | 27-58764 |
| 5 | 9-40541 | Front Plate, w/Water fitting - Use 9-40570 mounting kit | 60252 |
| 6 | 9-40542 | Rear Plate, w/o Water fitting - Use 9-40570 mounting kit | 54870 |
| 7 | 9-40570 | Mounting Kit, End Plate - Fits 9-40541 and 9-40542 - Includes 9-61424 gasket and mounting hardware | |
| 8 | 9-61424 | Gasket, End Plate - Fits 9-40541 and 9-40542 - Included in 9-40570 mounting kit | 27-48043 |
| 9 | 9-40552 | Riser, Low profile - 3" Exhaust outlet - 90° down angle - Use 9-40586 mounting kit - Most I/O applications where height is an issue | |
| 10 | 9-40558 | Riser - 3" Exhaust outlet - 90° down angle - Use 9-40170 mounting kit - Most I/O applications | 76351, 60426, 49964 |
| 11 | 9-40556 | Riser - 3" Exhaust outlet - 0° down angle - Use 9-40170 mounting kit - Most inboard applications | 76771, 60427 |
| 12 | 9-40170 | Mounting Kit, Riser - Fits 9-40556 and 9-40558 risers - Includes gasket and mounting hardware | |
| 13 | 9-72807 | Tube, Exhaust | 53114A1 |
| 14 | 9-44065 | Hose, Molded - Thermostat housing to exhaust manifold | 32-52481 |
| 15 | 9-40545 | Plug, pipe - 1/4" NPT | |
| 16 | 9-40546 | Plug, pipe - 3/8" NPT | |

INBOARD & STERNDRIVE COOLING SYSTEM PARTS



MERCURISIER

185 & 205
229 & 262 CID V-6
(Not dry joint style)



| Ref. No. | Mallory # | Description | OEM # |
|----------|-----------|--|-----------------------|
| 1 | 9-40505 | Manifold - Fits both sides of 229 and 262 CID V-6 engines - Use mounting kit 9-40576 | 99745, 99746 |
| 2 | 9-40576 | Mounting Kit, Manifold - Fits 9-40505 manifold - Includes 9-61425 gasket and mounting hardware | |
| 3 | 9-61425 | Gasket, Manifold to cylinder head - Included in 9-40576 mounting kit | 27-99757 |
| 4 | 9-40559 | Riser - 4" Exhaust outlet 7° down angle - Use mounting kit 9-40578 - For late model I/O and inboards | 44354, 807914, 807988 |
| 5 | 9-40578 | Mounting Kit, Riser - Fits 9-40559 riser - Includes 9-61413 gasket and mounting hardware | |
| 6 | 9-40557 | Riser - 3" Exhaust outlet 15° down angle - Use mounting kit 9-40580 - For early model I/O and inboards | 98503, 98504 |
| 7 | 9-40580 | Mounting Kit, Riser - Fits 9-40557 riser - Includes 9-61413 gasket and mounting hardware | |
| 8 | 9-61413 | Gasket, Restrictor - Fits center riser Mercruiser - Commonly used on all raw water cooled engines - Creates back pressure by restricting the water flow, keeping the manifold and/or spacer full | 27-41813 |
| 9 | 9-61422 | Gasket, Blocked - Fits center riser Mercruiser - Fresh water closed cooling - Separates anti-freeze and raw water - No stainless plate required | 27-41811 |
| 10 | 9-61414 | Gasket, Open - Fits center riser Mercruiser - Commonly used at base of spacer block with 9-61413 at riser - Allows spacer to fill with water | 27-87105 |
| 11 | 9-40530 | Spacer - 3" Center riser - Fits 9-40505 manifold - Sold individually - Use mounting kit 9-40582 with 9-40557 riser or 9-40583 mounting kit with 9-40559 riser | 93320 |
| 12 | 9-40582 | Mounting Kit, Spacer - Fits 9-40530 3" spacer with 9-40557 riser - Includes 9-61414 and 9-61413 gaskets and mounting hardware required to bolt to 9-40505 manifold | |
| 13 | 9-40583 | Mounting Kit, Spacer - Fits 9-40530 3" spacer with 9-40559 riser - Includes 9-61414 and 9-61413 gaskets and mounting hardware required to bolt to 9-40505 manifold | |
| 14 | 9-40531 | Spacer - 6" Center riser - Fits 9-40505 manifold - Sold individually - Use mounting kit 9-40584 - Risers 9-40557 and 9-40559 will require their own mounting kits | 93322 |
| 15 | 9-40584 | Mounting Kit, Spacer - Fits 9-40531 6" spacer - Includes 9-61414 and 9-61413 gaskets and mounting hardware - Risers 9-40557 and 9-40559 will require their own mounting kits | |
| 16 | 9-72805 | Tube, Exhaust - Use with 4" elbow | 32-44348T |
| 17 | 9-72811 | Tube, Exhaust - Use with 4" elbow | 32-14358T |
| 18 | 9-72808 | Tube, Exhaust - Use with 3" elbow | 32-70981A3 |
| 19 | 9-72809 | Tube, Exhaust - Use with 3" elbow | 32-90949 |
| 20 | 9-41200 | Drain Elbow | 22-806926A1 |
| 21 | 9-41201 | Drain Cock - Brass 1/4" NPT | |
| 22 | 9-41203 | Drain Plug | 806608A1 |
| 23 | 9-40545 | Plug, pipe - 1/4" NPT | |
| 24 | 9-40546 | Plug, pipe - 3/8" NPT | |

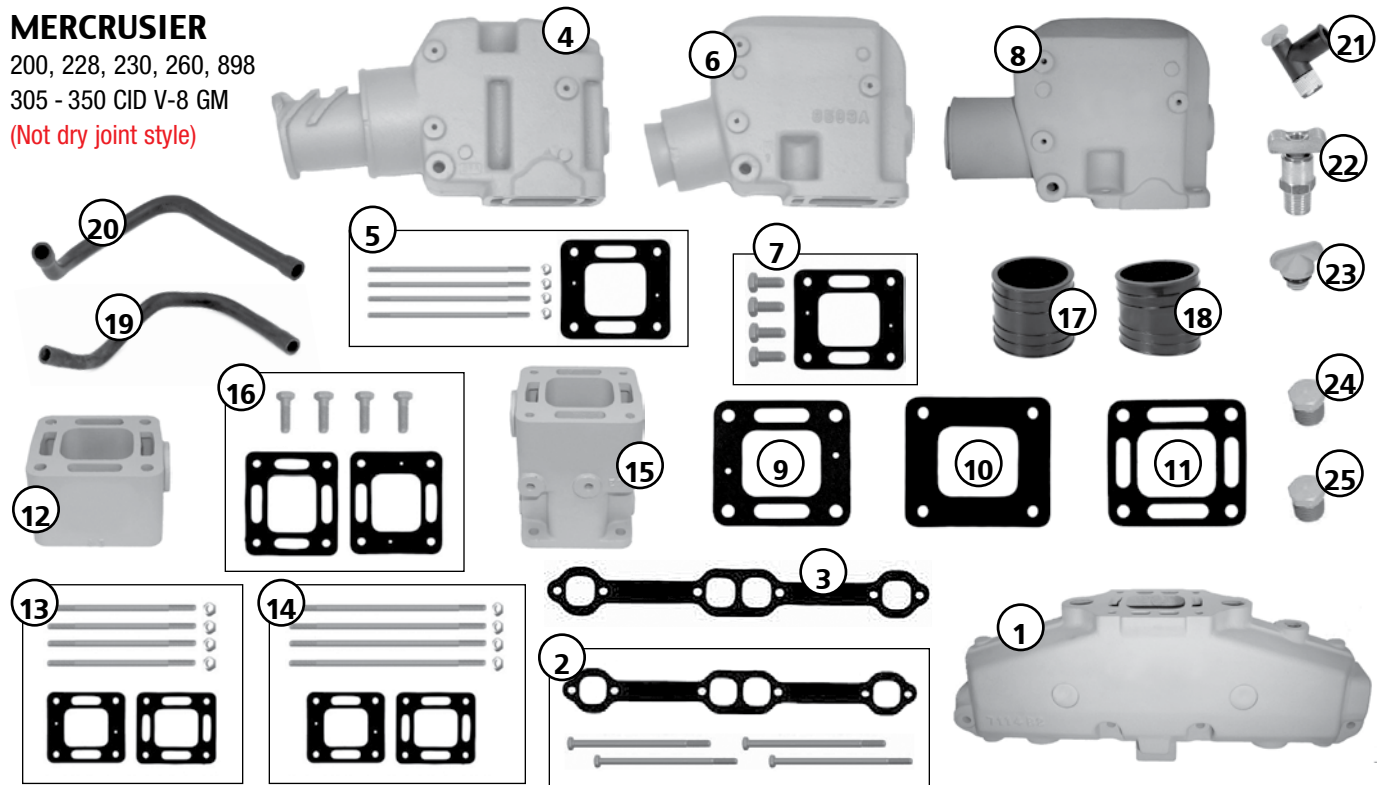


MERCURISIER

200, 228, 230, 260, 898

305 - 350 CID V-8 GM

(Not dry joint style)



| Ref. No. | Mallory # | Description | OEM # |
|----------|-----------|--|-----------------------|
| 1 | 9-40507 | Manifold - Fits both sides of 305 - 350 CID V-8 engines - Use mounting kit 9-40573 | 87114, 860246 |
| 2 | 9-40573 | Mounting Kit, Manifold - Fits 9-40507 manifold - Includes 9-61401 gasket and mounting hardware | |
| 3 | 9-61401 | Gasket, Manifold to cylinder head - Included in 9-40573 mounting kit | 27-33395 |
| 4 | 9-40559 | Riser - 4" Exhaust outlet 7° down angle - Use mounting kit 9-40578 - For late model I/O and inboards | 44354, 807914, 807988 |
| 5 | 9-40578 | Mounting Kit, Riser - Fits 9-40559 riser - Includes 9-61413 gasket and mounting hardware | |
| 6 | 9-40557 | Riser - 3" Exhaust outlet 15° down angle - Use mounting kit 9-40580 - For early model I/O and inboards | 98503, 98504 |
| 7 | 9-40580 | Mounting Kit, Riser - Fits 9-40557 riser - Includes 9-61413 gasket and mounting hardware | |
| 8 | 9-40554 | Riser - 3" Exhaust outlet 0° down angle - Use 9-40580 mounting kit | 12076A2 |
| 9 | 9-61413 | Gasket, Restrictor - Fits center riser Mercruiser - Commonly used on all raw water cooled engines - Creates back pressure by restricting the water flow, keeping the manifold and/or spacer full | 27-41813 |
| 10 | 9-61422 | Gasket, Blocked - Fits center riser Mercruiser - Fresh water closed cooling - Separates anti-freeze and raw water - No stainless plate required | 27-41811 |
| 11 | 9-61414 | Gasket, Open - Fits center riser Mercruiser - Commonly used at base of spacer block with 9-61413 at riser - Allows spacer to fill with water | 27-87105 |
| 12 | 9-40530 | Spacer - 3" Center riser - Fits 9-40507 manifold - Sold individually - Use mounting kit 9-40582 with 9-40557 riser or 9-40583 mounting kit with 9-40559 riser | 93320 |
| 13 | 9-40582 | Mounting Kit, Spacer - Fits 9-40530 3" spacer with 9-40557 riser - Includes 9-61414 and 9-61413 gaskets and mounting hardware required to bolt to 9-40507 manifold | |
| 14 | 9-40583 | Mounting Kit, Spacer - Fits 9-40530 3" spacer with 9-40559 riser - Includes 9-61414 and 9-61413 gaskets and mounting hardware required to bolt to 9-40507 manifold | |
| 15 | 9-40531 | Spacer - 6" Center riser - Fits 9-40507 manifold - Sold individually - Use mounting kit 9-40584 - Risers 9-40557 and 9-40559 will require their own mounting kits | 93322 |
| 16 | 9-40584 | Mounting Kit, Spacer - Fits 9-40531 6" spacer - Includes 9-61414 and 9-61413 gaskets and mounting hardware - Risers 9-40557 and 9-40559 will require their own mounting kits | |
| 17 | 9-72805 | Tube, Exhaust | 32-44348T |
| 18 | 9-72811 | Tube, Exhaust | 32-14358T |
| 19 | 9-44057 | Hose, Manifold to thermostat housing (port) | 32-806635-1 |
| 20 | 9-44068 | Hose, Manifold to thermostat housing (starboard) | 32-806636-2 |
| 21 | 9-41200 | Drain Elbow | 22-806926A1 |
| 22 | 9-41201 | Drain Cock - Brass 1/4" NPT | |
| 23 | 9-41203 | Drain Plug | 806608A1 |
| 24 | 9-40545 | Plug, pipe - 1/4" NPT | |
| 25 | 9-40546 | Plug, pipe - 3/8" NPT | |



INBOARD & STERNDRIVE COOLING SYSTEM PARTS



MERCRUISER

350, 357, 377, 383

5.0L-6.2L V-8 GM

(Dry joint style)

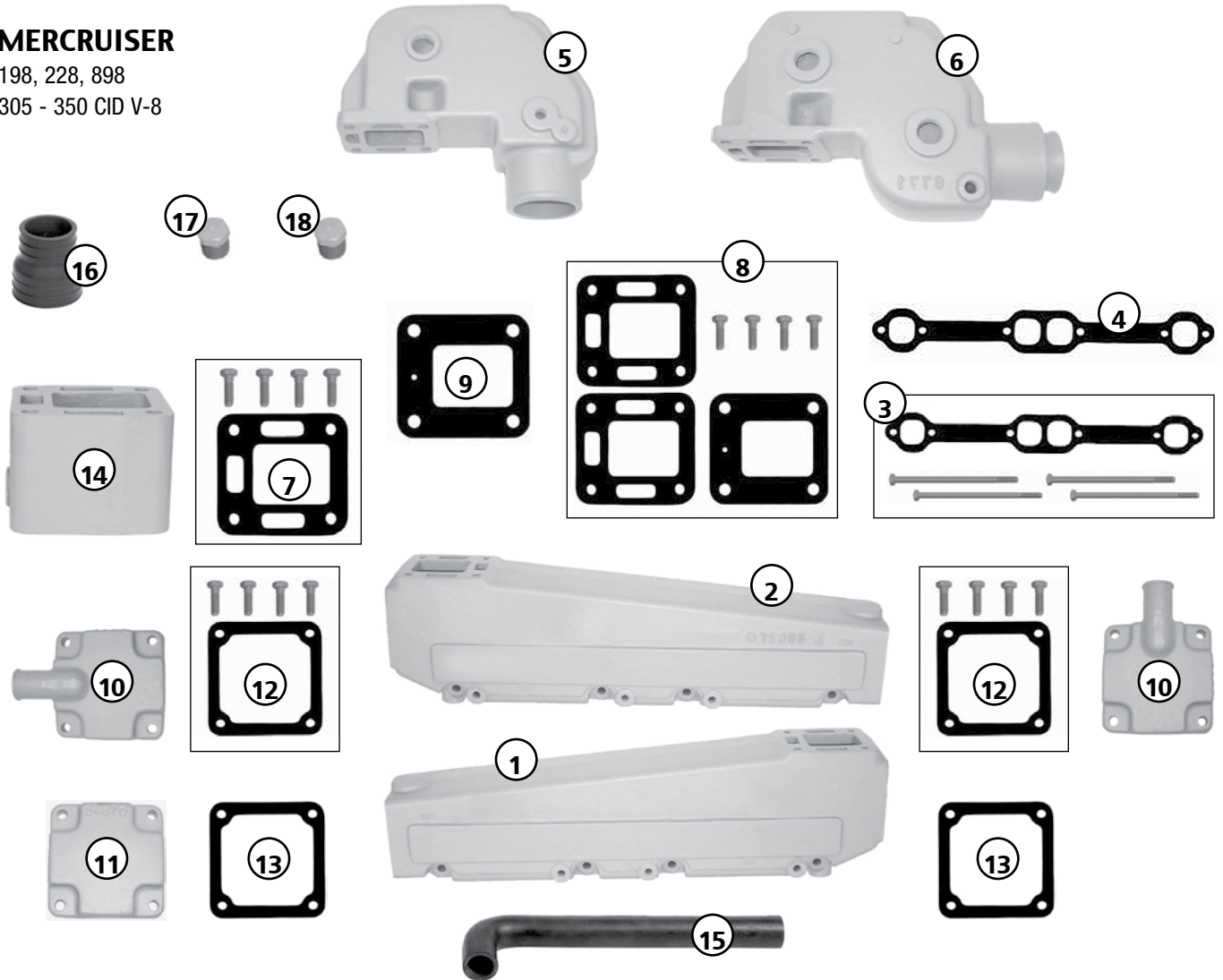


| Ref. No. | Mallory # | Description | OEM # |
|----------|-----------|---|--------------|
| 1 | 9-40508 | Manifold, Dry joint style fits 5.0L MPI, 5.7L MPI, 350 Mag & 6.2L Mag | 865735A02 |
| 2 | 9-40560 | Riser, Dry joint fits V6 & V8 w/ dry joint manifold | 864591 |
| 3 | 9-61430 | Gasket, Dry joint fits V6 & V8 (block off) | 27-864547A02 |
| 4 | 9-61429 | Gasket, Dry joint fits V6 & V8 (restricted flow) | 27-864850A02 |



MERCURISER

198, 228, 898
305 - 350 CID V-8



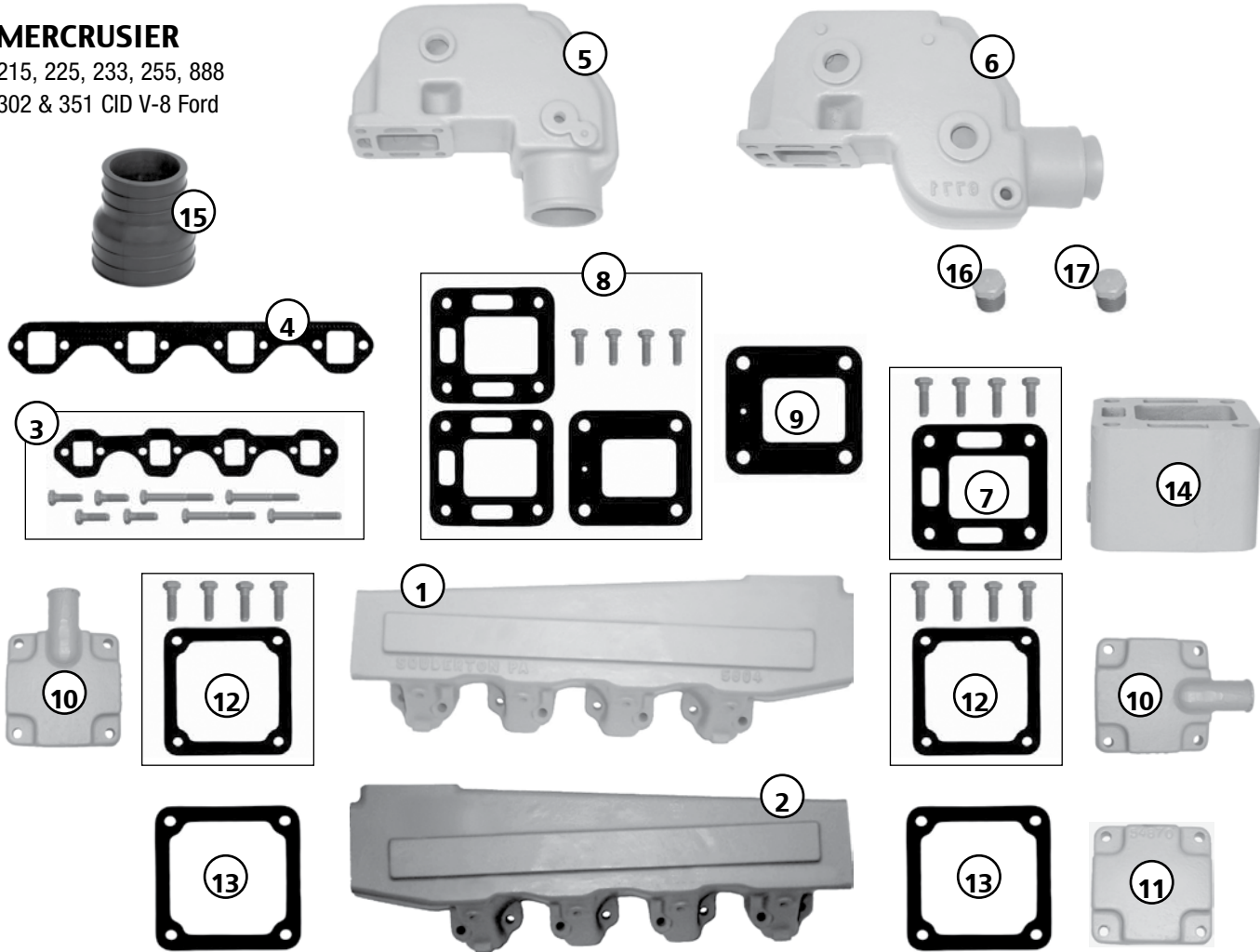
| Ref. No. | Mallory # | Description | OEM # |
|----------|-----------|--|---------------------|
| 1 | 9-40503 | Manifold, Port - Log style manifold fits 305 - 350 CID V-8 - Use 9-40573 mounting kit | 77234B, 77234A7 |
| 2 | 9-40504 | Manifold, Starboard - Log style manifold fits 305 - 350 CID V-8 - Use 9-40573 mounting kit | 77235B, 77235A8 |
| 3 | 9-40573 | Mounting Kit, Manifold - Fits 9-40503 & 9-40504 manifolds - Includes 9-61401 gasket and mounting hardware | |
| 4 | 9-61401 | Gasket, Manifold to cylinder head - Included in 9-40573 mounting kit | 27-33395 |
| 5 | 9-40558 | Riser - 3" Exhaust outlet 90° down angle - Use 9-40170 mounting kit - For most late model I/O applications | 76351, 60426, 49964 |
| 6 | 9-40556 | Riser - 3" Exhaust outlet 0° down angle - Use 9-40170 mounting kit - For late model inboard applications | 76771, 60427 |
| 7 | 9-40170 | Mounting Kit, Riser - Fits 9-40556 and 9-40558 risers - Includes gasket and mounting hardware | |
| 8 | 9-40579 | Mounting Kit, Riser - Fits 9-40556 and 9-40558 risers - Not for fresh water/closed cooling systems - Includes 9-40540 stainless plate w/weep hole, gaskets and mounting hardware | |
| 9 | 9-40540 | Stainless Plate, w/weep hole - Removes air trapped in the manifold- Fits 9-40556 and 9-40558 risers - Not for fresh water/closed cooling systems | |
| 10 | 9-40541 | End Plate, w/water fitting - Use 9-40570 mounting kit | 60252 |
| 11 | 9-40542 | Rear Plate, w/o water fitting - Use 9-40570 mounting kit | 54870 |
| 12 | 9-40570 | Mounting Kit, End plate - Fits 9-40541 and 9-40542 end plates - Includes 9-61424 gasket and mounting hardware | |
| 13 | 9-61424 | Gasket, End plate - Fits 9-40541 and 9-40542 end plates - Included in 9-40570 mounting kit | 27-48043 |
| 14 | 9-40532 | Spacer - 3" Rear riser - Fits 9-40503 and 9-40504 manifolds with 9-40556 or 9-40558 risers | 61851 |
| 15 | 9-44072 | Hose, Thermostat to manifold (front) | 32-48132 |
| 16 | 9-72808 | Tube, Exhaust | 70981A3 |
| 17 | 9-40545 | Plug, pipe - 1/4" NPT | |
| 18 | 9-40546 | Plug, pipe - 3/8" NPT | |

INBOARD & STERNDRIVE COOLING SYSTEM PARTS



MERCURIER

215, 225, 233, 255, 888
302 & 351 CID V-8 Ford



| Ref. No. | Mallory # | Description | OEM # |
|----------|-----------|--|---------------------|
| 1 | 9-40502 | Manifold, Port - Log style manifold fits 302 and 351 CID V-8 - Use mounting kit 9-40572 | 54100, 65604 |
| 2 | 9-40501 | Manifold, Starboard - Log style manifold fits 302 and 351 CID V-8 - Use mounting kit 9-40572 | 54099, 65603 |
| 3 | 9-40572 | Mounting Kit, Manifold - Fits 9-40501 and 9-40502 manifold - Includes 9-61420 gasket and mounting hardware | |
| 4 | 9-61420 | Gasket, Manifold to cylinder head - Included in 9-40572 mounting kit | 27-73866 |
| 5 | 9-40558 | Riser - 3" Exhaust outlet 90° down angle - Use 9-40170 mounting kit - For most I/O applications | 76351, 60426, 49964 |
| 6 | 9-40556 | Riser - 3" Exhaust outlet 0° down angle - Use 9-40170 mounting kit - For most inboard applications | 76771, 60427 |
| 7 | 9-40170 | Mounting Kit, Riser - Fits 9-40556 and 9-40558 risers - Includes gasket and mounting hardware | |
| 8 | 9-40579 | Mounting Kit, Riser - Fits 9-40556 and 9-40558 risers - Not for fresh water/closed cooling systems - Includes 9-40540 stainless plate w/weep hole, gaskets and mounting hardware | |
| 9 | 9-40540 | Stainless Plate, w/weep hole - Removes air trapped in the manifold- Fits 9-40556 and 9-40558 risers - Not for fresh water/closed cooling systems | 60207 |
| 10 | 9-40541 | End Plate, w/water fitting - Use 9-40570 mounting kit | 60252 |
| 11 | 9-40542 | Rear Plate, w/o water fitting - Use 9-40570 mounting kit | 54870 |
| 12 | 9-40570 | Mounting Kit, End plate - Fits 9-40541 and 9-40542 end plates - Includes 9-61424 gasket and mounting hardware | |
| 13 | 9-61424 | Gasket, End plate - Fits 9-40541 and 9-40542 end plates - Included in 9-40570 mounting kit | 27-48043 |
| 14 | 9-40532 | Spacer - 3" Rear riser - Fits 9-40501 and 9-40502 manifolds and 9-40532 spacer with 9-40556 or 9-40558 risers | 61851 |
| 15 | 9-72808 | Tube, Exhaust | 70981A3 |
| 16 | 9-40545 | Plug, pipe - 1/4" NPT | |
| 17 | 9-40546 | Plug, pipe - 3/8" NPT | |

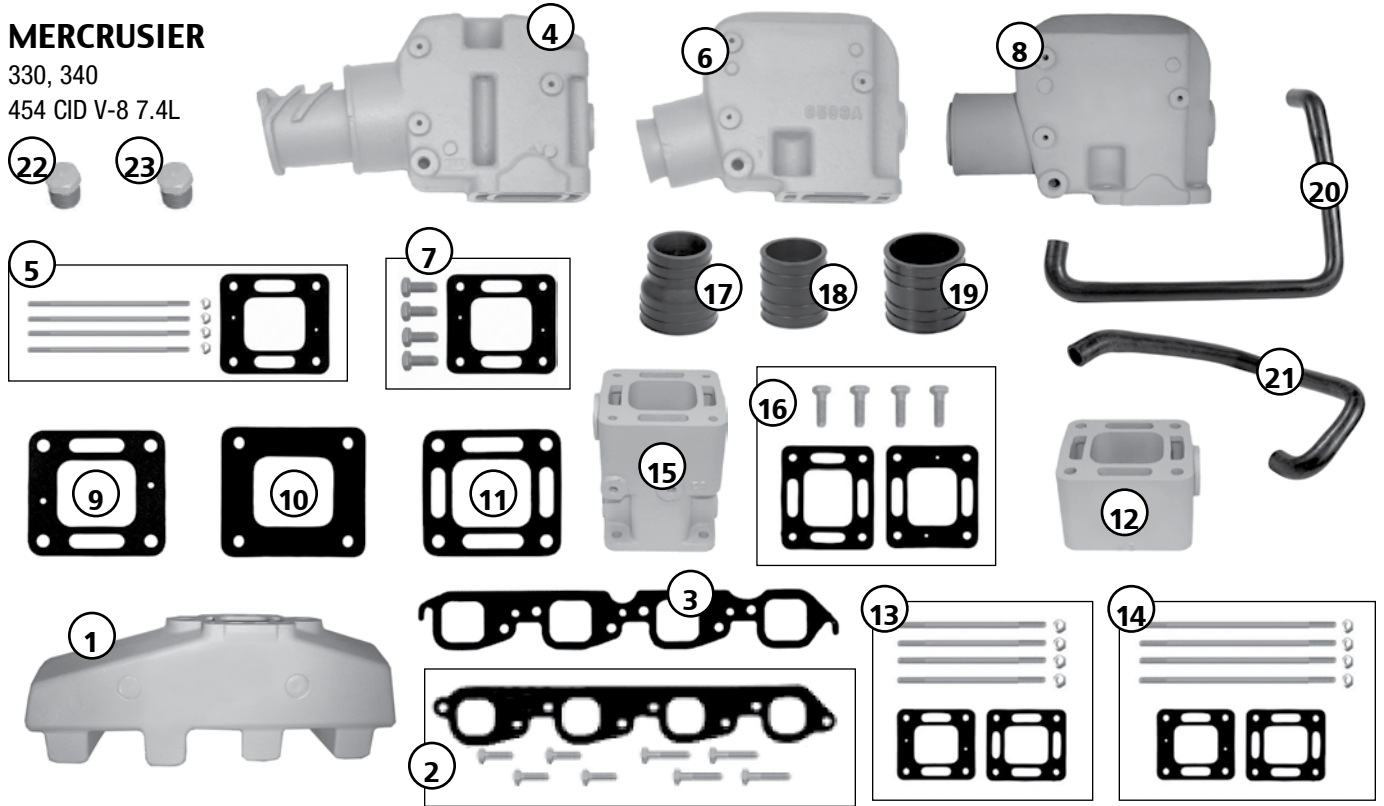


INBOARD & STERNDRIVE COOLING SYSTEM PARTS



MERCURISIER

330, 340
454 CID V-8 7.4L



| Ref. No. | Mallory # | Description | OEM # |
|----------|-----------|--|-----------------------|
| 1 | 9-40506 | Manifold - Fits both sides of 454 CID 7.4L V-8 engines - Use mounting kit 9-40575 | 89011 |
| 2 | 9-40575 | Mounting Kit, Manifold - Fits 9-40506 manifold - Includes 9-61400 gasket and mounting hardware | |
| 3 | 9-61400 | Gasket, Manifold to cylinder head - Included in 9-40575 mounting kit | 27-46820 |
| 4 | 9-40559 | Riser - 4" Exhaust outlet 7° down angle - Use 9-40578 mounting kit - For late model I/O and inboards | 44354, 807914, 807988 |
| 5 | 9-40578 | Mounting Kit, Riser - Fits 9-40559 riser - Includes 9-61413 gasket and mounting hardware | |
| 6 | 9-40557 | Riser - 3" Exhaust outlet 15° down angle - Use 9-40580 mounting kit - For early model I/O applications | 98503, 98504 |
| 7 | 9-40580 | Mounting Kit, Riser - Fits 9-40557 riser - Includes 9-61413 gasket and mounting hardware | |
| 8 | 9-40554 | Riser - 3" Exhaust outlet 0° down angle - Use 9-40580 mounting kit | 12076A2 |
| 9 | 9-61413 | Gasket, Restrictor - Fits center riser Mercruiser - Commonly used on all raw water cooled engines - Creates back pressure by restricting the water flow, keeping the manifold and/or spacer full | 27-41813 |
| 10 | 9-61422 | Gasket, Blocked - Fits center riser Mercruiser - Fresh water closed cooling - Separates anti-freeze and raw water - No stainless plate required | 27-41811 |
| 11 | 9-61414 | Gasket, Open - Fits center riser Mercruiser - Commonly used at base of spacer block with 9-61413 at riser - Allows spacer to fill with water | 27-87105 |
| 12 | 9-40530 | Spacer - 3" Center riser - Fits 9-40506 manifold - Sold individually - Use mounting kit 9-40582 with 9-40557 riser or 9-40583 mounting kit with 9-40559 riser | 93320 |
| 13 | 9-40582 | Mounting Kit, Spacer - Fits 9-40530 3" spacer with 9-40557 riser - Includes 9-61414 and 9-61413 gaskets and mounting hardware required to bolt to 9-40506 manifold | |
| 14 | 9-40583 | Mounting Kit, Spacer - Fits 9-40530 3" spacer with 9-40559 riser - Includes 9-61414 and 9-61413 gaskets and mounting hardware required to bolt to 9-40506 manifold | |
| 15 | 9-40531 | Spacer - 6" Center riser - Fits 9-40506 manifold - Sold individually - Use mounting kit 9-40584 - Risers 9-40557 and 9-40559 will require their own mounting kits | 93322 |
| 16 | 9-40584 | Mounting Kit, Spacer - Fits 9-40531 6" spacer - Includes 9-61414 and 9-61413 gaskets and mounting hardware - Risers 9-40557 and 9-40559 will require their own mounting kits | |
| 17 | 9-72808 | Tube, Exhaust - Use with 15° elbow | 70981A3 |
| 18 | 9-72809 | Tube, Exhaust - Use with 7 or 15° elbow | 32-90949T |
| 19 | 9-72805 | Tube, Exhaust - Use with 7° elbow | 32-44348T |
| 20 | 9-44063 | Hose, Manifold to thermostat housing (starboard) | 32-89730-1 |
| 21 | 9-44064 | Hose, Manifold to thermostat housing (port) | 32-89749 |
| 22 | 9-40545 | Plug, pipe - 1/4" NPT | |
| 23 | 9-40546 | Plug, pipe - 3/8" NPT | |

INBOARD & STERNDRIVE COOLING SYSTEM PARTS



MERCURISER EXHAUST SYSTEM APPLICATION CHART

| Model | CID | #Cyl | From | To | Serial # Range | Ending Serial | Port Manifold | Stbd Manifold | Exhaust Elbow | End Cap Front | End Cap Rear | Exh Manifold Gasket | Exh Elbow Gasket |
|----------------------------|-----|------|------|------|----------------|---------------|---------------|---------------|---------------|---------------|--------------|---------------------|------------------|
| 120 | 153 | L4 | 1966 | 1982 | 2046625 | 6229717 | N/A | N/A | 9-40553 | 9-40543 | N/A | 9-61426 | 9-61423 |
| 120 / 2.5L | 153 | L4 | 1983 | 1989 | 6229718 | 0C853255 | N/A | N/A | 9-40552 | 9-40541 | N/A | 9-61419 | 9-61407 |
| 140 | 181 | L4 | 1968 | 1982 | 2508261 | 6229717 | N/A | N/A | 9-40558 | 9-40541 | N/A | 9-61417 | 9-61407 |
| 140 / 3.0L | 181 | L4 | 1982 | 1995 | 6229718 | 0F603999 | N/A | N/A | 9-40552 | 9-40541 | N/A | 9-61419 | 9-61407 |
| 3.0L / 3.0LX | 181 | L4 | 1998 | 2008 | 0L010042 | UP | N/A | N/A | 9-40555 | N/A | N/A | N/A | 9-61407 |
| 165/170/180/3.7L/3.7LX | 224 | L4 | 1985 | 1989 | 6916779 | UP | N/A | N/A | 9-40551 | N/A | N/A | 9-61418 | 9-61412 |
| 470 | 224 | L4 | 1976 | 1977 | 4208730 | 4625579 | N/A | N/A | 9-40558 | N/A | N/A | 9-61418 | 9-61407 |
| 470 MCM/MIE | 224 | L4 | 1977 | 1982 | 4625580 | 6218036 | N/A | N/A | 9-40552 | N/A | N/A | 9-61418 | 9-61407 |
| 185 (4 bbl) | 229 | V6 | 1983 | 1984 | 6630183 | 6919655 | 9-40505 | 9-40505 | 9-40557 | N/A | N/A | 9-61421 | 9-61413 |
| 175/185 (2bbl)/205 | 262 | V6 | 1985 | 1987 | 0A331455 | 0B775129 | 9-40505 | 9-40505 | 9-40559 | N/A | N/A | 9-61421 | 9-61413 |
| 185 (2 bbl)/205 | 262 | V6 | 1985 | 1986 | 0A331455 | 0B527954 | 9-40505 | 9-40505 | 9-40557 | N/A | N/A | 9-61421 | 9-61413 |
| 262 Mag EFI (Gen +) | 262 | V6 | 1996 | 1997 | 0F803800 | 0K999999 | 9-40505 | 9-40505 | 9-40559 | N/A | N/A | 9-61421 | 9-61414 |
| 4.3L/LX/MPI/LH/LXH/Gen + | 262 | V6 | 1988 | 2001 | 0B773243 | 0M614999 | 9-40505 | 9-40505 | 9-40559 | N/A | N/A | 9-61421 | 9-61413 |
| 4.3L MPI | 262 | V6 | 2002 | 2004 | 0M615000 | 0W309999 | 9-40505 | 9-40505 | N/A | N/A | N/A | 9-61421 | 9-61413 |
| 4.3L MPI | 262 | V6 | 2004 | 2008 | 0W310000 | UP | 9-40505 | 9-40505 | N/A | N/A | N/A | 9-61421 | N/A |
| 215 | 302 | V8 | 1970 | 1970 | 2781153 | 3040410 | 9-40502 | 9-40501 | 9-40558 | 9-40541 | N/A | 9-61420 | 9-61407 |
| 215 MIE | 302 | V8 | 1970 | 1970 | 2781153 | 3040410 | 9-40502 | 9-40501 | 9-40556 | 9-40541 | N/A | 9-61420 | 9-61407 |
| 215/215 MIE/225/225MIE/888 | 302 | V8 | 1971 | 1977 | 3040411 | 4887829 | 9-40502 | 9-40501 | 9-40556 | 9-40541 | 9-40541 | 9-61420 | 9-61407 |
| 198 MIE/228 MIE | 305 | V8 | 1977 | 1977 | 4776402 | 5907057 | 9-40503 | 9-40504 | 9-40556 | 9-40541 | 9-40541 | 9-61401 | 9-61407 |
| 200/228/230/230MIE/898 | 305 | V8 | 1981 | 1987 | 5907058 | 0B788151 | 9-40507 | 9-40507 | 9-40557 | N/A | N/A | 9-61401 | 9-61413 |
| 200 | 305 | V8 | 1985 | 1987 | 6899058 | 0B774444 | 9-40507 | 9-40507 | 9-40559 | N/A | N/A | 9-61401 | 9-61413 |
| 228/228 TR/898 | 305 | V8 | 1977 | 1982 | 4766210 | 6218461 | 9-40503 | 9-40504 | 9-40558 | 9-40541 | 9-40541 | 9-61401 | 9-61407 |
| 228/230/230MIE/898 | 305 | V8 | 1981 | 1987 | 5907058 | 0B788151 | 9-40507 | 9-40507 | 9-40559 | N/A | N/A | 9-61401 | 9-61413 |
| 5.0L/MIE/MPI/LX | 305 | V8 | 1988 | 2001 | 0B774445 | 0M599999 | 9-40507 | 9-40507 | 9-40559 | N/A | N/A | 9-61401 | 9-61413 |
| 5.0L (Gen +)/EFI | 305 | V8 | 1998 | 2002 | 0L012052 | 0M599999 | 9-40507 | 9-40507 | 9-40559 | N/A | N/A | 9-61401 | 9-61414 |
| 5.0L (Gen +) | 305 | V8 | 2002 | UP | 0M600000 | UP | 9-40508 | 9-40508 | N/A | N/A | N/A | N/A | N/A |
| 250/255/260/280 TRS | 350 | V8 | 1975 | 1982 | 4499061 | 6218461 | 9-40503 | 9-40504 | 9-40558 | 9-40541 | 9-40541 | 9-61401 | 9-61407 |
| 255 MIE | 350 | V8 | 1976 | 1980 | 4499061 | 5907057 | 9-40503 | 9-40504 | 9-40556 | 9-40541 | 9-40541 | 9-61401 | 9-61407 |
| 260/260 MIE | 350 | V8 | 1981 | 1987 | 5907058 | 0F024999 | 9-40507 | 9-40507 | 9-40557 | N/A | N/A | 9-61401 | 9-61413 |
| 260 MIE | 350 | V8 | 1981 | 1987 | 5907058 | 0F024999 | 9-40507 | 9-40507 | 9-40559 | N/A | N/A | 9-61401 | 9-61413 |
| 300 | 350 | V8 | 1985 | 1986 | 6668677 | 0B430367 | 9-40507 | 9-40507 | N/A | N/A | N/A | 9-61401 | 9-61414 |
| 320 EFI | 350 | V8 | 1987 | 1989 | 0A543604 | 0C622418 | 9-40507 | 9-40507 | 9-40559 | N/A | N/A | 9-61401 | 9-61413 |
| 350 Mag Alpha/MPI/MIE/Ski | 350 | V8 | 1986 | 2001 | 0A635178 | 0M316999 | 9-40507 | 9-40507 | 9-40559 | N/A | N/A | 9-61401 | 9-61413 |
| 350 Mag Alpha EFI | 350 | V8 | 1996 | 1997 | 0F800300 | 0K999999 | 9-40507 | 9-40507 | 9-40559 | N/A | N/A | 9-61401 | 9-61414 |
| 350 Mag Bravo MPI | 350 | V8 | 1995 | 1995 | 0F415189 | 0F601999 | 9-40507 | 9-40507 | 9-40559 | N/A | N/A | 9-61401 | 9-61414 |
| 350 Mag Bravo MPI (Gen +) | 350 | V8 | 1996 | 1997 | 0F602000 | 0K999999 | 9-40507 | 9-40507 | 9-40559 | N/A | N/A | 9-61401 | 9-61414 |
| 350 Mag EFI Ski | 350 | V8 | 1994 | 1996 | 0F215561 | 0F802706 | 9-40507 | 9-40507 | 9-40559 | N/A | N/A | 9-61401 | 9-61414 |
| 350 Mag EFI Ski (Gen +) | 350 | V8 | 1996 | 1997 | 0F802707 | 0K999999 | 9-40507 | 9-40507 | 9-40559 | N/A | N/A | 9-61401 | 9-61414 |
| 350 Mag MPI Horizon | 350 | V8 | 2001 | 2001 | 0M300000 | UP | 9-40507 | 9-40507 | 9-40559 | N/A | N/A | 9-61401 | 9-61414 |
| 350 Mag MPI Horizon | 350 | V8 | 2002 | UP | 0M600000 | UP | 9-40508 | 9-40508 | N/A | N/A | N/A | N/A | N/A |
| 350 Mag MPI Horizon MIE | 350 | V8 | 1999 | 2001 | 0L304700 | UP | 9-40507 | 9-40507 | 9-40559 | N/A | N/A | 9-61401 | 9-61414 |
| 350 Mag MPI Horizon MIE | 350 | V8 | 2002 | UP | 0M600000 | UP | 9-40508 | 9-40508 | N/A | N/A | N/A | N/A | N/A |
| 350 Mag MPI MIE | 350 | V8 | 1999 | 2001 | 0L304500 | 0M299999 | 9-40507 | 9-40507 | 9-40559 | N/A | N/A | 9-61401 | 9-61414 |
| 350 Mag MPI MIE | 350 | V8 | 2002 | UP | 0M600000 | UP | 9-40508 | 9-40508 | N/A | N/A | N/A | N/A | N/A |
| 350 Mag MPI Ski (Gen +) | 350 | V8 | 2002 | 2002 | 0L002600 | 0M316999 | 9-40507 | 9-40507 | 9-40559 | N/A | N/A | 9-61401 | 9-61413 |
| 350 Mag MPI Ski (Gen +) | 350 | V8 | 2002 | UP | 0M600000 | UP | 9-40508 | 9-40508 | N/A | N/A | N/A | N/A | N/A |
| 5.7L/EFI/ MIE/Ski/Gen+ | 350 | V8 | 1985 | 2002 | 6218462 | 0M316999 | 9-40507 | 9-40507 | 9-40559 | N/A | N/A | 9-61401 | 9-61413 |
| 5.7L/EFI/ Gen + | 350 | V8 | 1988 | 2001 | 0L010037 | UP | 9-40507 | 9-40507 | 9-40559 | N/A | N/A | 9-61401 | 9-61414 |
| 5.7L/EFI/ Gen + | 350 | V8 | 2002 | UP | 0M600000 | UP | 9-40508 | 9-40508 | N/A | N/A | N/A | N/A | N/A |
| 5.7L/LX/EFI/Ski | 350 | V8 | 1988 | 1997 | 0A338533 | 0K999999 | 9-40507 | 9-40507 | 9-40557 | N/A | N/A | 9-61401 | 9-61413 |
| 5.7LX Bravo EFI | 350 | V8 | 1996 | 1997 | 0F800300 | 0K999999 | 9-40507 | 9-40507 | 9-40559 | N/A | N/A | 9-61401 | 9-61414 |
| Black Scorpion Ski | 350 | V8 | 1996 | 1997 | 0F800000 | UP | 9-40507 | 9-40507 | 9-40559 | N/A | N/A | 9-61401 | 9-61414 |
| Black Scorpion Ski | 350 | V8 | 1998 | 2002 | 0L002700 | 0M391599 | 9-40507 | 9-40507 | 9-40559 | N/A | N/A | 9-61401 | 9-61413 |
| MX 6.2L Black Scorpion Ski | 350 | V8 | 2003 | UP | 0M600000 | UP | 9-40508 | 9-40508 | N/A | N/A | N/A | N/A | N/A |
| 233 | 351 | V8 | 1975 | 1977 | 4173000 | 4902304 | 9-40502 | 9-40501 | 9-40558 | 9-40541 | 9-40541 | 9-61420 | 9-61407 |
| 233 MIE | 351 | V8 | 1975 | 1977 | 4173000 | 4902304 | 9-40502 | 9-40501 | 9-40556 | 9-40541 | 9-40541 | 9-61420 | 9-61407 |
| 233 MIE | 351 | V8 | 1975 | 1977 | 4173000 | 4902304 | 9-40502 | 9-40501 | 9-40556 | 9-40542 | 9-40541 | 9-61420 | 9-61407 |
| 255 | 351 | V8 | 1973 | 1974 | 3258728 | 4175499 | 9-40502 | 9-40501 | 9-40558 | 9-40541 | 9-40541 | 9-61420 | 9-61407 |
| 255 MIE | 351 | V8 | 1973 | 1974 | 3258728 | 4175499 | 9-40502 | 9-40501 | 9-40556 | 9-40541 | 9-40541 | 9-61420 | 9-61407 |
| 255 MIE | 351 | V8 | 1973 | 1974 | 3258728 | 4175499 | 9-40502 | 9-40501 | 9-40556 | 9-40542 | 9-40541 | 9-61420 | 9-61407 |
| 377 Scorpion MCM | 377 | V8 | 1999 | 2005 | 0L416146 | 0M907201 | 9-40507 | 9-40507 | 9-40559 | N/A | N/A | 9-61401 | 9-61414 |
| 377 Scorpion Ski | 377 | V8 | 1997 | 1998 | 0K000656 | UP | 9-40507 | 9-40507 | 9-40559 | N/A | N/A | 9-61401 | 9-61413 |
| MX 6.2L MPI | 377 | V8 | 2000 | 2001 | 0L068003 | 0M299999 | 9-40507 | 9-40507 | 9-40559 | N/A | N/A | 9-61401 | 9-61414 |
| MX 6.2L MPI | 377 | V8 | 2002 | 2002 | 0M300000 | 0M599999 | 9-40507 | 9-40507 | 9-40559 | N/A | N/A | 9-61401 | 9-61413 |
| MX 6.2L MPI Horizon | 377 | V8 | 2002 | 2002 | 0M300000 | 0M599999 | 9-40507 | 9-40507 | 9-40559 | N/A | N/A | 9-61401 | 9-61414 |
| MX 6.2L MPI Horizon | 377 | V8 | 2002 | UP | 0M600000 | UP | 9-40508 | 9-40508 | N/A | N/A | N/A | N/A | N/A |
| MX 6.2L MPI Horizon MIE | 377 | V8 | 2002 | 2002 | 0M300000 | 0M316999 | 9-40507 | 9-40507 | 9-40559 | N/A | N/A | 9-61401 | 9-61414 |

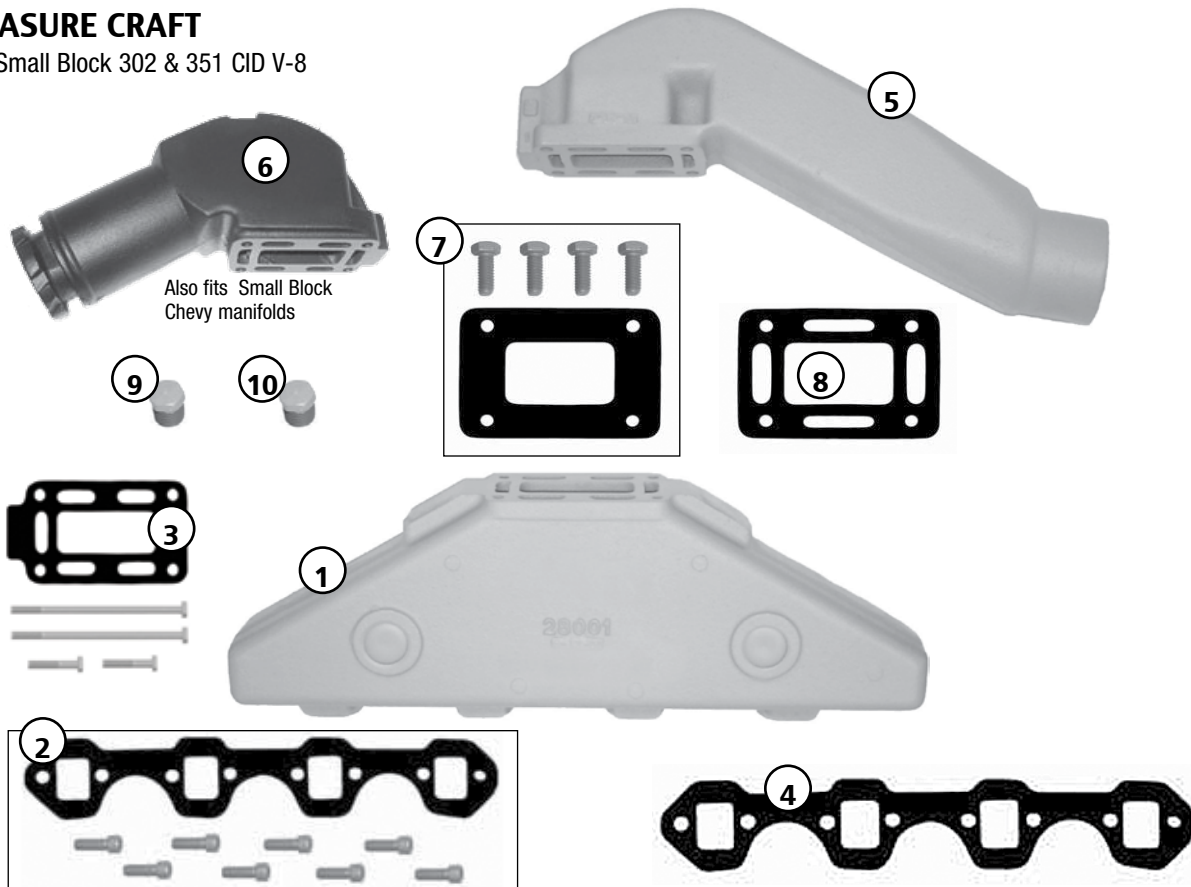


MERCURISER EXHAUST SYSTEM APPLICATION CHART (CONTINUED)

| | | | | | | | | | | | | | |
|-----------------------------|-----|----|------|------|----------|----------|---------|---------|---------|-----|-----|---------|---------|
| MX 6.2L MPI Horizon MIE | 377 | V8 | 2002 | UP | OM600000 | UP | 9-40508 | 9-40508 | N/A | N/A | N/A | N/A | N/A |
| MX 6.2L MPI MIE | 377 | V8 | 1999 | 2001 | 0L670000 | 0M299999 | 9-40507 | 9-40507 | 9-40559 | N/A | N/A | 9-61401 | 9-61413 |
| MX 6.2L MPI MIE | 377 | V8 | 2002 | 2002 | 0M300000 | 0M316999 | 9-40507 | 9-40507 | 9-40559 | N/A | N/A | 9-61401 | 9-61413 |
| MX 6.2L MPI MIE | 377 | V8 | 2002 | UP | 0M600000 | UP | 9-40508 | 9-40508 | N/A | N/A | N/A | N/A | N/A |
| MX 6.2L Black Scorpion Ski | 377 | V8 | 2001 | 2003 | 0L670015 | 0M391599 | 9-40507 | 9-40507 | 9-40559 | N/A | N/A | 9-61401 | 9-61413 |
| 330 | 454 | V8 | 1982 | 1987 | 6083145 | 0B816540 | 9-40506 | 9-40506 | 9-40557 | N/A | N/A | 9-61400 | 9-61413 |
| 330 | 454 | V8 | 1982 | 1987 | 6083145 | 0B816540 | 9-40506 | 9-40506 | 9-40559 | N/A | N/A | 9-61400 | 9-61413 |
| 340 MIE w/B/W | 454 | V8 | 1981 | 1987 | 5889914 | 0B788365 | 9-40506 | 9-40506 | N/A | N/A | N/A | 9-61400 | 9-61413 |
| 340 MIE w/B/W | 454 | V8 | 1981 | 1987 | 5889914 | 0B788365 | 9-40506 | 9-40506 | 9-40557 | N/A | N/A | 9-61400 | 9-61413 |
| 340 MIE w/B/W | 454 | V8 | 1981 | 1987 | 5889914 | 0B788365 | 9-40506 | 9-40506 | 9-40559 | N/A | N/A | 9-61400 | 9-61413 |
| 370 TRS | 454 | V8 | 1985 | 1987 | 6721528 | 0B714586 | 9-40506 | 9-40506 | 9-40559 | N/A | N/A | 9-61400 | 9-61414 |
| 454 Mag Alpha/Bravo/EFI/Ski | 454 | V8 | 1986 | 1996 | 0A398941 | 0K999999 | 9-40506 | 9-40506 | 9-40559 | N/A | N/A | 9-61400 | 9-61413 |
| 454 Mag MPI/Horiz./MIE/Ski | 454 | V8 | 1996 | 1997 | 0F802350 | UP | 9-40506 | 9-40506 | 9-40559 | N/A | N/A | 9-61400 | 9-61413 |
| 7.4L/LX Bravo/MIE/MPI | 454 | V8 | 1988 | 2001 | 0B771113 | UP | 9-40506 | 9-40506 | 9-40559 | N/A | N/A | 9-61400 | 9-61413 |
| 7.4L EFI MIE | 454 | V8 | 1996 | 1997 | 0F874815 | 0K999999 | 9-40506 | 9-40506 | N/A | N/A | N/A | 9-61400 | 9-61413 |
| 7.4L MIE w/B/W | 454 | V8 | 1988 | 1992 | 0B788366 | 0D715493 | 9-40506 | 9-40506 | 9-40557 | N/A | N/A | 9-61400 | 9-61413 |
| 7.4L MIE w/B/W | 454 | V8 | 1988 | 1992 | 0B788366 | 0D715493 | 9-40506 | 9-40506 | 9-40557 | N/A | N/A | 9-61400 | 9-61413 |
| 502 Mag Bravo/EFI/MPI | 502 | V8 | 1990 | 2001 | 0C878221 | UP | 9-40506 | 9-40506 | 9-40559 | N/A | N/A | 9-61400 | 9-61413 |
| 8.2L MIE/MPI | 502 | V8 | 1990 | 2001 | 0C878221 | UP | 9-40506 | 9-40506 | 9-40559 | N/A | N/A | 9-61400 | 9-61413 |

PLEASURE CRAFT

Ford Small Block 302 & 351 CID V-8



Also fits Small Block Chevy manifolds

| Ref. No. | Mallory # | Description | OEM # |
|----------|-----------|---|---------|
| 1 | 9-40800 | Manifold - Fits both sides 302 & 351 CID V-8 - Use 9-40870 mounting kit | R028001 |
| 2 | 9-40870 | Mounting Kit, manifold - Includes 9-61420 gasket and mounting hardware | |
| 3 | 9-40872 | Mounting Kit, Manifold (9-40811 Riser) | |
| 4 | 9-61420 | Gasket, Manifold to cylinder head - Included in 9-40870 mounting kit | |
| 5 | 9-40810 | Riser - 3" Outlet - Use 9-40870 mounting kit | R029001 |
| 6 | 9-40811 | Riser 3 1/2" Outlet - Use 4-40872 Mounting Kit | R029011 |
| 7 | 9-40871 | Mounting Kit, Riser - Includes 9-65700 gasket and mounting hardware | |
| 8 | 9-65700 | Gasket, Riser to manifold - Included in 9-40871 | RM0002 |
| 9 | 9-40545 | Plug, pipe - 1/4" NPT | |
| 10 | 9-40546 | Plug, pipe - 3/8" NPT | |



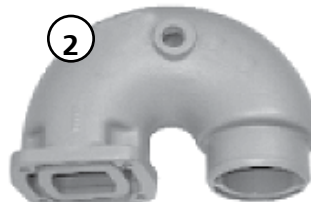
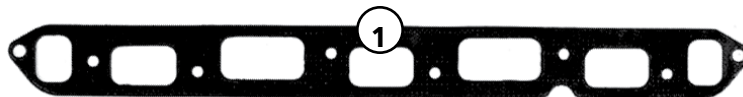
INBOARD & STERNDRIVE COOLING SYSTEM PARTS



OMC

Model 160 with OMC risers 980020 or 980188

GM L6 250 CID



| Ref. No. | Mallory # | Description | OEM # |
|----------|-----------|--|----------------|
| 1 | 9-61416 | Gasket, Manifold to cylinder head | 907932 |
| 2 | 9-40611 | Riser - 3.375" outlet - 90° down angle | 980020, 980188 |
| 3 | 9-65100 | Gasket, Riser | 908013 |
| 4 | 9-40545 | Plug, pipe - 1/4" NPT | |
| 5 | 9-40546 | Plug, pipe - 3/8" NPT | |

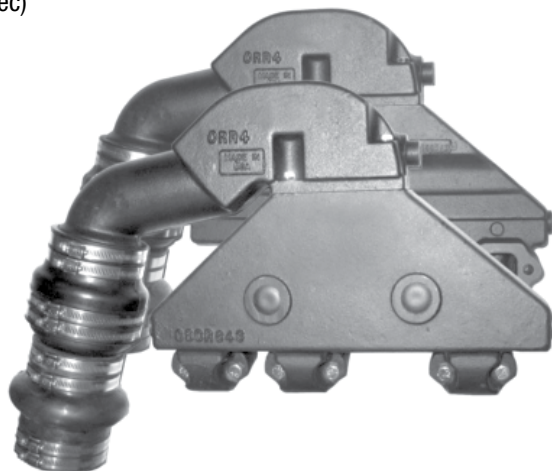
OMC

GM 262 CID 4.3L V-6 1986-90 (non-vortec)

Exhaust Manifold Kit

Replaces OMC 1986-90

One piece manifold/risers

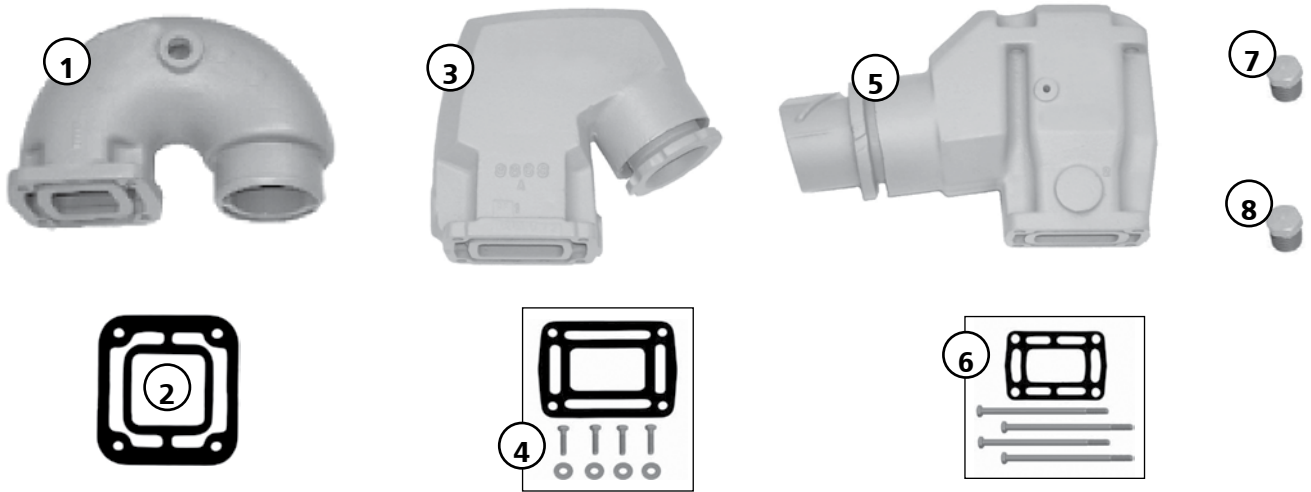


| Ref. No. | Mallory # | Description | OEM # |
|----------|-----------|--|------------|
| 1 | 9-40600 | Manifold Kit - Replaces OMC one piece manifold/risers in non-vortec 262 CID V-6 applications - Contains - 2 Manifolds, 2 risers, 2 ea upper and lower bellows hoses, along with all required installation hardware | 7056, 7686 |
| | 9-40612 | Manifold only, replacement for above kit | none |
| | 9-40603 | Riser only, replacement for above kit | none |



OMC

Risers used on various Ford and GM applications



| Ref. No. | Mallory # | Description | OEM # |
|----------|-----------|--|--------------------------|
| 1 | 9-40611 | Riser - 3.375" outlet - 90° down angle | 980188, 980020 |
| 2 | 9-65100 | Gasket, Riser to manifold | 908013 |
| 3 | 9-40610 | Riser - 3.5" outlet - 60° down angle - Fits GM and Ford log style manifolds - Use 9-40670 mounting kit | 909218, 982680, 909863 |
| 4 | 9-40670 | Mounting Kit, Riser - Fits 9-40610 riser - Includes gasket and mounting hardware | |
| 5 | 9-40911 | Riser - 4" outlet - 7° down angle - Fits GM and Ford center riser manifolds - Use 9-40672 mounting kit | 913784, 3855270, 3850456 |
| 6 | 9-40672 | Mounting Kit, Riser - Fits 9-40611 riser - Includes gasket and mounting hardware | |
| 7 | 9-40545 | Plug, pipe - 1/4" NPT | |
| 8 | 9-40546 | Plug, pipe - 3/8" NPT | |

Exhaust Tubes on various Ford and GM applications



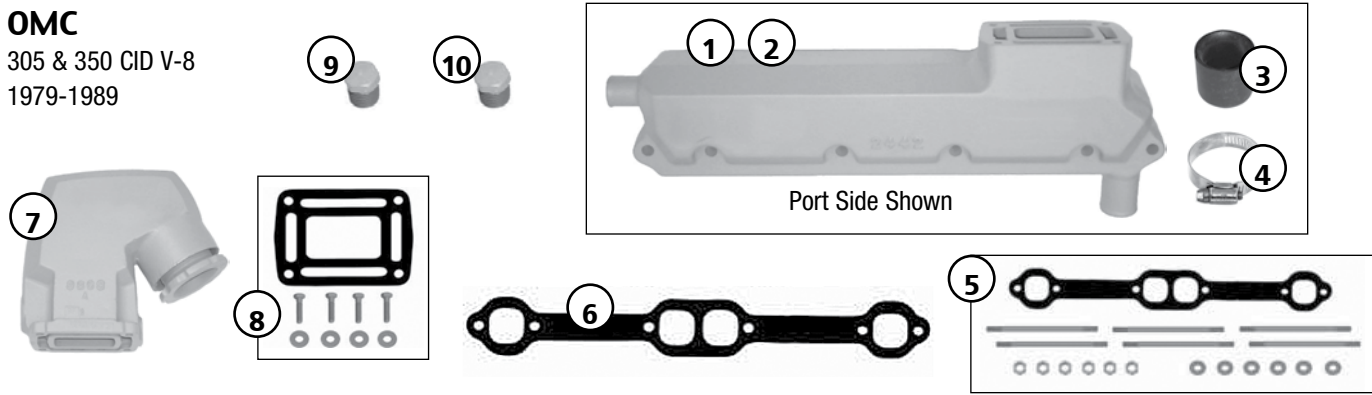
| Ref. No. | Mallory # | Description | OEM # |
|----------|-----------|--|---------|
| 1 | 9-72814 | Tube, Exhaust - Fits 2.5L 1986, 3.0L 1986-91, 4.3L 1990-91, 5.0 & 5.8L 1991, 5.7L 1986 | 3852741 |
| 2 | 9-72801 | Tube, Exhaust - Fits 2.3L 1987-88, 4.3L 1987-89, 5.0 & 5.8L 1989-90, 5.7L 1986-91 | 3852742 |
| 3 | 9-72802 | Tube, Exhaust - Fits 4.3L 1991, 5.0 & 5.8L 1991, 7.5L 1988-89, 5.7L 1990-91, all cone clutch 1990-91 | 3852696 |
| 4 | 9-72806 | Tube, Exhaust - Fits 5.7 & 7.4L 1986 & later | 912374 |

INBOARD & STERNDRIVE COOLING SYSTEM PARTS



OMC

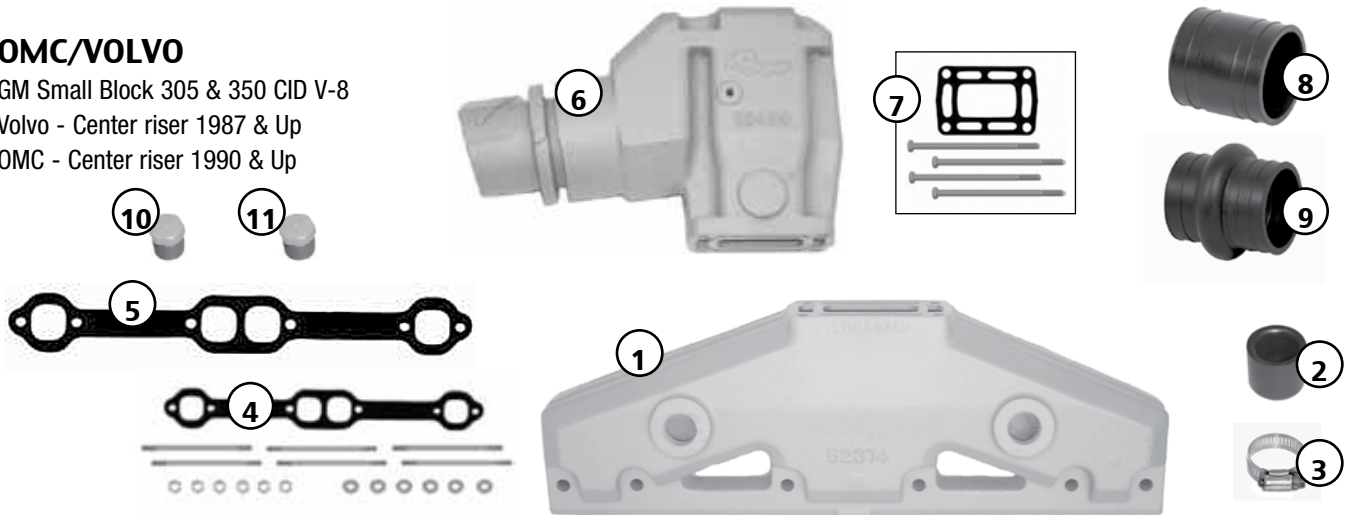
305 & 350 CID V-8
1979-1989



| Ref. No. | Mallory # | Description | OEM # |
|----------|-----------|---|------------------------|
| 1 | 9-40602 | Manifold, Starboard - Fits 305 - 350 CID V-8 - Includes hose and clamp - Use 9-40671 mounting kit | 909280, 912441 |
| 2 | 9-40601 | Manifold, Port - Fits 305 - 350 CID V-8 - Includes hose and clamp - Use 9-40671 mounting kit | 910144, 909279, 912442 |
| 3 | 9-42721 | Hose Cap - 1.25" I.D. | 909312, 908488 |
| 4 | 9-73104 | Hose Clamp, Stainless steel - Fits 9-42721 hose cap | 313851 |
| 5 | 9-40671 | Mounting Kit, Manifold - Fits 9-60401 and 9-60402 manifolds - Includes 9-61401 gasket and mounting hardware | |
| 6 | 9-61401 | Gasket, Manifold to cylinder head - Included in 9-40571 mounting kit | 909314, 3852468 |
| 7 | 9-40610 | Riser - 3" Exhaust outlet 60° down angle - Use 9-40670 mounting kit | 909218, 982680, 909863 |
| 8 | 9-40670 | Mounting Kit, Riser - Fits 9-40610 riser - Includes gasket and mounting hardware | |
| 9 | 9-40545 | Plug, pipe - 1/4" NPT | |
| 10 | 9-40546 | Plug, pipe - 3/8" NPT | |

OMC/VOLVO

GM Small Block 305 & 350 CID V-8
Volvo - Center riser 1987 & Up
OMC - Center riser 1990 & Up



| Ref. No. | Mallory # | Description | OEM # |
|----------|-----------|---|-------------------------------------|
| 1 | 9-40902 | Manifold - Fits both sides 305 - 350 CID V-8 | 914035, 3852374, 3852374-2 |
| 2 | 9-42720 | Hose Cap - 1" I.D. (used on old-style manifolds) | 909829, 3850476, 3852476 |
| 3 | 9-73100 | Hose Clamp, Stainless steel - Fits 9-42720 hose cap (used on old-style manifolds) | 912627, 385780, 3852692 |
| 4 | 9-40671 | Mounting Kit, Manifold | |
| 5 | 9-61401 | Gasket, Manifold to cylinder head | 909314, 3852468 |
| 6 | 9-40911 | Riser - 4" Exhaust outlet 7° down angle - Use 9-40672 mounting kit | 913784, 3855270, 3850456, 3855270-9 |
| 7 | 9-40671 | Mounting Kit, Riser - Fits 9-40911 riser - Includes gasket and mounting hardware | |
| 8 | 9-72802 | Tube, Exhaust | 3852741 |
| 9 | 9-72814 | Tube, Exhaust | 3852742 |
| 10 | 9-40545 | Plug, pipe - 1/4" NPT | |
| 11 | 9-40546 | Plug, pipe - 3/8" NPT | |

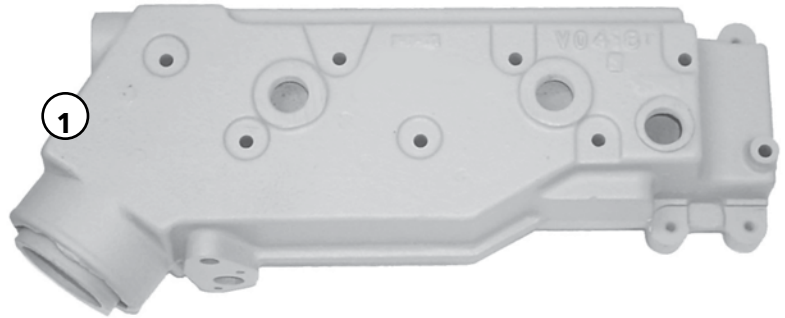
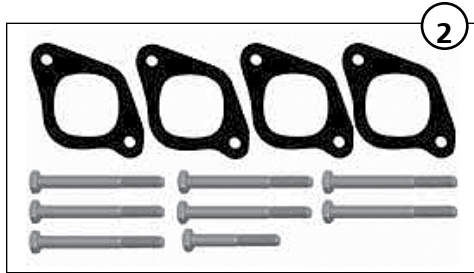


VOLVO

AQ 120, 125, 131, 140, 145 & 151

BB 140, 145, 230 & 250

B20 2.3 & 2.5L



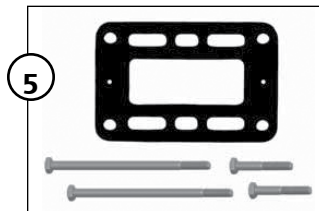
| Ref. No. | Mallory # | Description | OEM # |
|----------|-----------|--|--------------------|
| 1 | 9-40900 | Manifold - Fits B20 2.3 & 2.5L - Use 9-40971 mounting kit | 855387-7, 834438-4 |
| 2 | 9-40971 | Mounting Kit, manifold - Includes 9-65801 gasket and mounting hardware | |
| 3 | 9-65801 | Gasket, Manifold to cylinder head - Four pieces - Included in 9-40971 mounting kit | |
| 4 | 9-40545 | Plug, pipe - 1/4" NPT | |
| 5 | 9-40546 | Plug, pipe - 3/8" NPT | |

VOLVO

AQ & BB 200, 205, 211, 231, 225, 260,

271, 290, 311, 500, 501, 570, 571 & 572

GM Small Block 305 - 350 CID



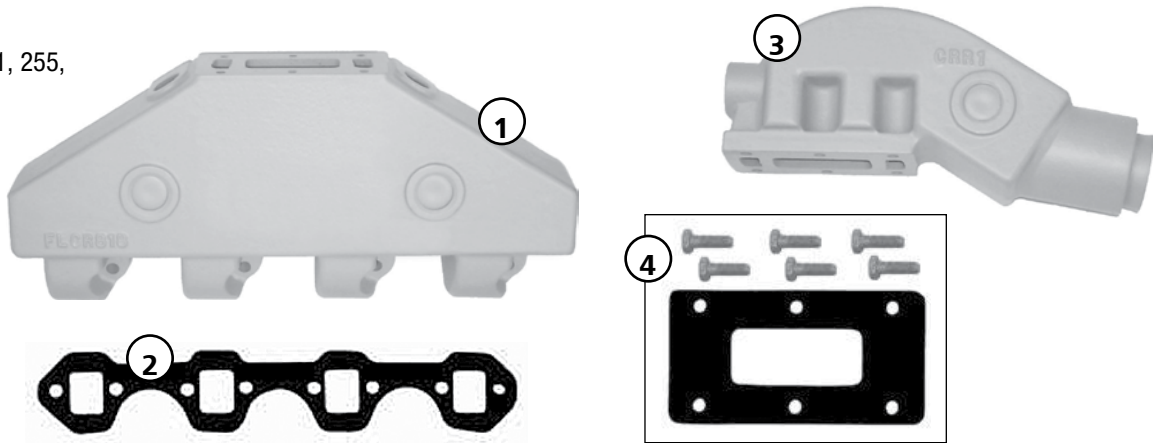
| Ref. No. | Mallory # | Description | OEM # |
|----------|-----------|---|--------------------------------|
| 1 | 9-40901 | Manifold - Fits both sides 305 - 350 CID V-8 - Use 9-40970 mounting kit | 835804, 835805, 835806, 856883 |
| 2 | 9-40970 | Mounting Kit, manifold - Includes 9-61401 gasket and mounting hardware | |
| 3 | 9-61401 | Gasket, Manifold to cylinder head - Included in 9-40970 mounting kit | |
| 4 | 9-40910 | Riser - 95mm (3.75 inch) Exhaust outlet - 30 degree down angle - Use 9-40972 mounting kit | 855380, 855384, 856891, 856879 |
| 5 | 9-40972 | Mounting Kit, Riser - Includes 9-65800 gasket and mounting hardware | |
| 6 | 9-65800 | Gasket, Riser to manifold - Included in 9-40972 | |
| 7 | 9-40545 | Plug, pipe - 1/4" NPT | |
| 8 | 9-40546 | Plug, pipe - 3/8" NPT | |

INBOARD & STERNDRIVE COOLING SYSTEM PARTS



OSCO

Ford Small Block 221, 255, 260, 289, 302 & 351 CID V-8



| Ref. No. | Mallory # | Description |
|----------|-----------|---|
| 1 | 9-40101 | Manifold - Fits both sides 221, 255, 260, 289, 302 and 351 CID V-8 |
| 2 | 9-61420 | Gasket, Manifold to cylinder head |
| 3 | 9-40700 | Riser - 3" Exhaust outlet - 10° down angle - Use 9-40770 mounting kit |
| 4 | 9-40770 | Mounting Kit, Riser and spacer - Fits 9-40700 riser |
| 5 | 9-40545 | Plug, pipe - 1/4" NPT |
| 6 | 9-40546 | Plug, pipe - 3/8" NPT |



OSCO

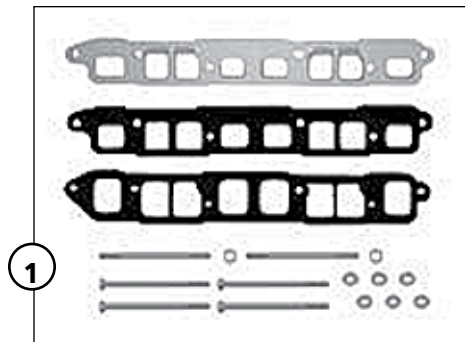
Cast iron elbow and hose kits



| Ref. No. | Mallory # | Description |
|----------|-----------|---------------|
| 1 | 9-40120 | 80° x 3" I.D. |
| 2 | 9-40121 | 45° x 3" I.D. |

ADAPTER PLATE KIT

181 CID 3.0L
4 Cylinder



| Ref. No. | Mallory # | Description |
|----------|-----------|---|
| 1 | 9-40590 | Adapter plate kit - Converts large intake port manifolds to small intake port heads - Includes adapter, gasket, and mounting hardware for Mercruiser manifolds. |



INBOARD & STERNDRIVE COOLING SYSTEM PARTS



Water Circulating Pumps

Mallory Marine water circulating pumps are manufactured to the highest quality standards. All of our circulating pumps are bi-directional so one part number will fit both standard and opposite rotation engines. Compare our quality features to see why you should be using Mallory Marine water pumps.

Features:

- Meets all OEM dimensional specifications
- High quality castings with premium coatings to resist corrosion
- Marine grade brass impellers, fittings, and plugs
- Stainless Steel backing plates (where applicable)
- Highest quality seal available for extended service life. Our seal utilizes a carbon phenolic primary ring and nitrile billows to resist chemical and harsh conditions better than the competition
- All mounting gaskets are included



9-42600
Pump, Water Circulating
Replaces: OMC 984876
Fits: 2.3 L Ford



9-42601
Pump, Water Circulating
Replaces: Mercruiser 883925, Volvo
Fits: 8.1L BB GM, Merc 496 Mag & HO and MIE 8.1S & HO



9-42602
Pump, Water Circulating
Replaces: Chrysler 3745985, 3619859, 3619542, 3004886
Fits: Chrysler Small Block 273, 318, 340, 360 cid



9-42603
Pump, Water Circulating
Replaces: Chrysler 8619859, 3619452, 3745985, 9417905
Fits: Chrysler Big Block 361, 383, 400, 426, 440 cid



9-42604
Pump, Water Circulating
Replaces: Mercruiser 850454-1, OMC 987447, Volvo 3855991, Crusader 30103, PCM RA057019
Fits: Big Block GM V-8 454 & 502 cid



9-42605
Pump, Water Circulating
Replaces: Mercruiser 65142A1, 884727, 814755, 880817, OMC 984360, 986779, Volvo 3854017
Fits: GM inline 4 & 6 cyl.



9-42606
Pump, Water Circulating
Replaces: Mercruiser 850399-1, OMC 985249, Volvo 3853850, Crusader 20318, 7142520, PCM RA057018
Fits: GM Small Block V-6 & V-8 283-350 cid



9-42607
Pump, Water Circulating
Replaces: Mercruiser 883885, OMC 982517, Volvo 3853796, PCM RA057004
Fits: Ford Small Block V-8 289, 302 & 351 cid



9-42608
Pump, Water Circulating
Replaces: Indmar S556050, PCM RA057036
Fits: GM 6.0L



9-42720
Cap, plug off
Replaces: OMC 909829, Volvo 3852476
Fits: 1" I.D. for 4.3 L – 8.2 L



9-42721
Cap, plug off
Replaces: OMC 909830
Fits: 1 1/4" I.D. for V-8 models 1977 - up



INBOARD & STERNDRIVE COOLING SYSTEM PARTS



Impellers



9-45306
9-45306-10 (bulk pack)
Impeller
Replaces: Mercruiser 47-89984
For: All Mercruiser #1 sterndrives s/n OD494568 & Below



9-45307
9-45307-10 (Bulk Pkg 10)
Impeller
Replaces: Mercruiser 47-43026-2
For: All Mercruiser Alpha I Gen II sterndrives s/n OD494569 & Above



9-45310
9-45310-10 (Bulk Pkg 10)
Impeller
Replaces: Mercruiser 47-862232A2
For: 2000 & newer MCM V-6 & V-8 w/brass sea wtr pump



9-45375
9-45375-10 (Bulk Pkg 10)
Impeller
Replaces: Mercruiser 47-59362T1



9-45280
Impeller
Replaces: OMC 983895



9-45281
Impeller
Replaces: OMC 379475 / 777130
For: Most OMC Stringer Drives



9-45282
Impeller
Replaces: OMC 986465
Fits: Cobra 3.0 L



9-45700
Impeller Kit
Replaces: Johnson Pump 09-45825



9-45701
Impeller Kit
Replaces: Volvo 875808-8 / Johnson 09-801B / Jabsco 2877-0001, 4568-0001 / Oberdorfer B6620, 12 fins, includes key and gaskets



9-45702
Impeller Kit
Replaces: Volvo 875808 / 3586497 / 3593659, Johnson Pump 09-1026B / 6 fins, incldes pin & gaskets



9-45703
Impeller Kit
Replaces: Volvo 875811-2, 3855546 / Johnson Pump 09-1027B, 9-1027B-9 / Jabsco 1210-0003, 12 fins, 12 splines



9-45704
Impeller Kit
Replaces: Johnson Pump 09-812B / Jabsco13554-0001
Dia. 2 1/4" Side Width 1 15/16"



9-45705
Water Pump Repair Kit
Replaces: Volvo 875574-6
Fits: AQ120B, 125A,B, 131A, 140A, 145A, B, 151A, B



9-45706
Impeller Kit - Neoprene
Replaces: Sherwood / Jabsco 10615K / 18948-0001
Fits: Chrysler/Crusader



9-45707
9-45707-10 (Bulk Pkg 10)
Impeller
Replaces: Chrysler 9959/ Crusader 22212/ Jabsco 18838-0001/ Oberdorfer 132-0317/ OMC 3854286/PCM RP061015/ Sherwood 9959/Volvo 835512 3854286
Fits: Sherwood/Jabsco pumps



9-45708
Impeller
Replaces: Chrysler 10615/ Crusader 20300, 20310/ Jabsco 18948-0001/ Oberdorfer 8922/PCM RP061017/ Sherwood 10615/Volvo835874
Fits: Sherwood/Jabsco pumps



9-45709
Impeller Kit
Replaces: Johnson Pump 09-808B / Jabsco 22405-001/ Volvo 833775, 875583
Fits: F35B Pumps



9-45710
Impeller Kit
Replaces: Volvo 875593,87706/ Johnson Pump 09-1028B /Jabsco 17937-0001 / Sherwood 18200, Oberdorfer C7441
Fits: F7B Pumps



9-45711
Impeller
Replaces: Johnson Pump 09-819B /Jabsco 836-0001, 17935-0001/ Volvo 875736 / Oberdoreer 7054
Fits: Johnson F8B pumps/Jabsco



9-45712
Impeller
Replaces: Johnson Pump/ Jabsco 09-814B/2176-0001, 17636-001
Fits: F9B-9 Pump



9-45713
Impeller
Replaces: Johnson Pump/ Jabsco 09-810B/18653-0001
Fits: F4B Pump



Water Pump Kits & Components

| | | | | |
|---|---|---|--|--|
|  <p>9-45714 Impeller Replaces: Johnson Pump 09-821B Fits: F75B Pump</p> |  <p>9-45715 Impeller Kit Replaces: Volvo/Jabsco 875736-1/ 836-0001 Fits: Johnson F8B pumps / Jabsco</p> |  <p>9-45716 Impeller Replaces: 10077K Fits: Sherwood Pumps</p> |  <p>9-45717 Impeller Replaces: Sherwood 9979 Fits: L9960/T11165/T11166</p> |  <p>9-45800 Water Pump F6B-9 Replaces: Pleasure Craft RA057023 / Indmar 665011 / Volvo 841640 / Johnson Pump 10-24228-1 Uses Mallory impeller repair kit 9-45703</p> |
|  <p>9-48305 Water Pump Kit, Upper Replaces: Mercruiser 46-96148A8 / 46-57234A3 For: #1 units w/o flush plug except MR/Alpha I</p> |  <p>9-48307 Water Pump Kit Replaces: Mercruiser 46-96148A8 / 46-44292A5 For: MR/Alpha I</p> |  <p>9-48308 Water Pump Kit Replaces: Mercruiser For: #1 units w/flush plug</p> |  <p>9-48350 Water Pump Kit, One Piece Housing Replaces: Mercruiser 46-807151A14 Fits: Bravo & Inboard Applications</p> |  <p>NEW! 9-48316 Water Pump Service Kit (wo/hsp.) Replaces: Mercruiser 47-59362T6 Fits: Bravo 1 piece plastic hsg.</p> |
|  <p>9-48315 Water Pump Kit Replaces: Mercruiser 817275T4 Fits: Gen II & Lower s/n D469859-Up</p> |  <p>9-45283 Impeller Repair Kit Replaces: OMC 911704+911702+ 9-45280+911703+9-43500 Fits: Cobra</p> |  <p>9-45284 Impeller Repair Kit Replaces: OMC Fits: Stringer drive</p> |  <p>9-45285 Kit, Water Pump w/hsg Replaces: OMC 911704+911702+ 9-45280+911703+9-43500+9-43200 Fits: Cobra</p> | |
|  <p>9-45286 Water Pump Kit Replaces: OMC 983218 Fits: Stringer drive</p> |  <p>9-43211 Water Pump Housing Replaces: Mercury 46-96148T1 For: All Mercruiser #1 sterndrives s/n OD494568 & Below</p> |  <p>9-43306 Water Pump Base Replaces: Mercury 46-57234A1 Fits: Mercruiser units w/o flush plug</p> |  <p>9-43308 Water Pump Base Replaces: Mercruiser 46-44292A3 Fits: MR/Alpha I</p> | |
|  <p>9-43309 Water Pump Base Replaces: Mercury 46-48748A1 Fits: Mercruiser units w/flush plug</p> |  <p>9-43604 Water Pump Housing Seal Replaces: Mercury 26-38970 Fits: OB & Sterndrive</p> |  <p>9-43623 Water Tube Guide Replaces: Mercury 23-29804 Fits: MC-1, R, MR, Alpha I</p> |  <p>9-43628 Face Seal & Tool Replaces: Mercruiser 26-816575A2 Fits: Alpha I Gen II</p> | |



INBOARD & STERNDRIVE COOLING SYSTEM PARTS



Water Pump Components



9-43629
Rubber Washer
Replaces: Mercury 12-49221-1
Fits: OB & Sterndrive plastic flush screw



9-43702
Impeller Key
Replaces: Mercruiser 28-56654
Fits: MC-1, R, MR, Alpha I



9-43720
Impeller Key
Replaces: Mercruiser 28-43037
Fits: Alpha 1 Gen II 1991-Up



9-78110
Bushing, Water Pump Hsg
Replaces: Mercruiser 816597A1
Fits: Alpha 1 Gen II 1991-Up



9-43502
Stainless Steel Cup
Replaces: Mercury 48752



9-43400
Wear Plate
Replaces: Mercruiser 32435
For: All #1 sterndrives s/n OD494568 & Below



9-43413
Impeller Plate
Replaces: Mercruiser 817276-1
Fits: Alpha 1 Gen II S/N D494569-Up



9-43220
Bearing, Water Pump Asm Shaft
Replaces: Mercruiser 30-72961
Fits: Bravo



9-78118
Nut
Replaces: Mercruiser 817276-1
Thread Size: 5/16" X 24



9-78128
Screw
Replaces: Mercruiser 10-816928



9-78131
Screw
Replaces: Mercruiser 10-96411



9-78138
Washer
Replaces: Mercruiser 12-36001



9-43200
Housing, Water Pump
Replaces: OMC 984744
Fits: Cobra



9-43201
Housing, Water Pump
Replaces: OMC 983298
Fits: Stringer Drives



9-43401
Plate, Impeller
Replaces: OMC 313176
Fits: Stringer Drives



9-43500
Stainless Steel Cup
Replaces: OMC911844
Fits: Cobra



SERVICE, QUALITY, VALUE, PERFORMANCE

All Mallory Marine products are backed by our industry leading 2 year parts and labor warranty.



INBOARD & STERNDRIVE COOLING SYSTEM PARTS



MERCURISER IMPELLER APPLICATIONS

| Model/HP | S/N | Impeller | Water Pump Kit |
|---|--------------------|----------|----------------|
| MC-1 units w/plastic flush plug | 2495186 - 2763441 | 9-45306 | 9-48308 |
| MC-1 units w/o plastic flush plug | 2763442 - 6854392 | 9-45306 | 9-48305 |
| MR/Alpha I | 6854393 - D4698578 | 9-45306 | 9-48307 |
| Alpha I Gen II | D469859 & up | 9-45307 | — |
| Bravo I, II, III (models w/o block drain feature) | B664190 & Up | 9-45375 | 9-48350 |
| Bravo I, II, III (models w/ block drain feature) | M100001 & Up | 9-45310 | — |
| Inboards (models w/o block drain feature) | All | 9-45375 | 9-48350 |
| Inboards (models w/ block drain feature) | All | 9-45310 | — |

OMC IMPELLER APPLICATIONS

| Model/HP | Year | Impeller # |
|-------------------------|------------------|------------|
| 100 | 1972-73 | 9-45281 |
| 110 (w/heavy duty pump) | 1964 | 9-45281 |
| 120 (w/heavy duty pump) | 1965-67 | 9-45281 |
| 120 | 1968-84 | 9-45281 |
| 140 | 1973-84 | 9-45281 |
| 150 | 1964-66 | 9-45281 |
| 155 | 1967-72 | 9-45281 |
| 165 | 1972-76 | 9-45281 |
| 170 | 1974 | 9-45281 |
| 175 | 1975-77 | 9-45281 |
| 185 | 1967-76, 1978-84 | 9-45281 |
| 190 | 1974-77 | 9-45281 |
| 200 | 1966-68, 1979-84 | 9-45281 |
| 210 | 1968-72 | 9-45281 |
| 215 | 1971 | 9-45281 |
| 225 | 1972-76, 1978 | 9-45281 |
| 230 | 1975-76, 1979-81 | 9-45281 |
| 235 | 1971, 1975-77 | 9-45281 |
| 240 | 1978 | 9-45281 |
| 245 | 1972-75 | 9-45281 |
| 250 | 1970-74, 1979 | 9-45281 |
| 260 | 1975-76, 1979-84 | 9-45281 |
| 305 | 1977-78 | 9-45281 |
| 350 | 1977-78 | 9-45281 |
| 454 | 1977 | 9-45281 |
| 2.3 L Cobra * | 1987-90 | 9-45282 |
| 2.5 L Cobra * | 1986 | 9-45280 |
| 3.0 L Cobra * | 1986-92 | 9-45280 |
| 4.3 L Cobra * | 1986-92 | 9-45280 |
| 5.0 L Cobra * | 1986-92 | 9-45280 |
| 5.7 L Cobra * | 1986-92 | 9-45280 |
| 5.8 L Cobra * | 1986-92 | 9-45280 |
| 7.5 L Cobra * | 1987 | 9-45280 |

* except models with short impeller

INBOARD & STERNDRIVE COOLING SYSTEM PARTS



VOLVO GASOLINE IMPELLER APPLICATIONS

| Model/HP | Impeller # |
|--------------------------|------------|
| AQ 60F | 9-45702 |
| AQ 90, 95, 95A, 110, 120 | 9-45702 |
| AQ115A, B | 9-45702 |
| AQ120B, AQ125A, B | 9-45701 |
| AQ130A, B, C, D | 9-45702 |
| AQ131A, B, C, D | 9-45701 |
| AQ140A, 145A, B | 9-45701 |
| AQ151A, B, C | 9-45701 |
| AQ165A, AQ170A, B, C | 9-45701 |
| AQ171A, C | 9-45701 |
| AQ175A | 9-45703 |
| AQ190A | 9-45703 |
| AQ200B, C | 9-45707 |
| AQ200D, F | 9-45703 |
| AQ205 | 9-45703 |
| AQ211A | 9-45703 |
| AQ225B, C | 9-45707 |
| AQ231A, B, | 9-45703 |
| AQ240A | 9-45708 |
| AQ255 B | 9-45703 |
| AQ260A | 9-45703 |
| AQ271A, B, C, D | 9-45703 |
| AQ280A, AQ290A | 9-45703 |
| AQ311A, B | 9-45703 |
| MB10A, MB18F | 9-45702 |
| BB 30 | 9-45702 |
| BB 100 | 9-45702 |
| MB 18, 18F | 9-45702 |
| MB20A, B, C | 9-45702 |

| Model/HP | Impeller # |
|------------------------|--------------|
| BB115A, B, C | 9-45702 |
| BB140A, 145A | 9-45701 |
| BB165A, 170A, B, C | 9-45701 |
| BB225A, B, C | 9-45703 |
| BB231A | 9-45703 |
| BB260A, B, C, BB261A | 9-45703 |
| 230A, B, 250A, B, 251A | 9-45701 |
| 430A, B 431B | 9-45703 |
| 432A, 434A | 9-45703 |
| 500A, B | 9-45703 |
| 501A, B | 9-45703 |
| 570A, 572A, 570A/MS 4A | 9-45703 |
| 571A | 9-45703 |
| 3.0 GL, 3.0 GS | 9-45707 |
| 4.3 GL, 4.3GS | 9-45703 (S) |
| 4.3 GL, 4.3GS | 9-45707 |
| 4.3Gi | 9-45703 |
| 5.0 FL, 5.0 Fi, | 9-45703 (S) |
| 5.0 FL, 5.0 Fi, | 9-45707 |
| 5.7Gi | 9-45703 (S) |
| 5.7Gi | 9-45707 |
| 5.8 FL, 5.8Fi, 5.8 FSi | 9-45703 (S) |
| 5.8 FL, 5.8Fi, 5.8 FSi | 9-45707 |
| 7.4 GL | 9-45703 (MD) |
| 7.4 GL | 9-45707 |
| 7.4 Gi, 7.4 GSi | 9-45703 |
| 8.2GL, 8.2GSi | 9-45703 (S) |
| 8.2GL, 8.2GSi | 9-45707 |

VOLVO DIESEL IMPELLER APPLICATIONS

| Model/HP | Impeller # |
|--------------------------------|------------|
| 2001, B | 9-45709 |
| 2002, B | 9-45709 |
| 2003, B | 9-45709 |
| 2003T, TB | 9-45703 |
| AD 31A, B, D, XD, P, L-A | 9-45710 |
| AD41 A, B, D | 9-45710 |
| AQD21A, B (s/n 103386 & below) | 9-45703 |
| AQD21A, B (s/n 103387 & up) | 9-45701 |
| AQAD 30A, 31A | 9-45710 |
| AQD32 A | 9-45710 |
| AQD40 A | 9-45710 |
| AQAD 40A, B | 9-45710 |
| AQD41 A | 9-45710 |
| AQAD 41 A | 9-45710 |
| D41 A, B, D, L-A | 9-45710 |
| KAD 42 A, B, P-A | 9-45710 |
| KAMD 42 A, B, P-A | 9-45710 |
| MD2010C,D | 9-45702 |
| MD2020C,D | 9-45702 |
| MD2030A, B, C, D | 9-45702 |
| MD2040A, B, C, D | 9-45702 |

| Model/HP | Impeller # |
|-------------------------------|------------|
| MD3B | 9-45702 |
| MD5 A, B, C | 9-45709 |
| MD6 A | 9-45709 |
| MD6 B | 9-45709 |
| MD7 A, B | 9-45709 |
| MD11, D | 9-45709 |
| MD17C, D | 9-45702 |
| MD21A, B (s/n 103386 & below) | 9-45703 |
| MD21A, B (s/n 103387 & up) | 9-45701 |
| MD22A, 22, L-A | 9-45703 |
| MD30 A, MD 31 A, MD32 A | 9-45710 |
| MD40 A | 9-45710 |
| TMD22A | 9-45703 |
| TMD 30 A | 9-45710 |
| TAMD 30 A | 9-45710 |
| TMD 31 A, B, D, L-A | 9-45710 |
| TAMD 31 B, D, P, L, M-A | 9-45710 |
| TMD 40 A, B, C | 9-45710 |
| TAMD 40 A, B | 9-45710 |
| TMD 41 A, B, D, L-A | 9-45710 |
| TAMD 41 B, D, P, L, M, H-A | 9-45710 |



Thermostats

Proper cooling system operation is critical to achieve smooth engine idle and maximum fuel efficiency. Mallory Marine Thermostats are designed to provide superior reliability and performance in marine applications.

- Superior corrosion resistance from our bi-metal marine grade stainless steel and brass designs
- Accurate temperature ranges for marine engines to assure proper cooling system performance



9-43000
Thermostat
Replaces: Mercruiser 76270T / Crusader 96358
160 degree
Fits: 470/485 models s/n 6218036 & below



9-43001
Thermostat
Replaces: Mercruiser 99155A1
160 degree
Fits: 470/488/3.7L models s/n 6218037 & Up



9-43002
Thermostat
Replaces: Mercruiser 807252T2 / Crusader 97895
160 degree
Fits: Merc 1987 & newer GM engines w/standard cooling & 160 degree thermostat



9-43003
Thermostat Kit
Replaces: Volvo 875780
75 C



9-43004
Thermostat
Replaces: Volvo 876305
60 C



9-43005
Thermostat Kit
Replaces: Volvo 875791
55 C



9-43006
Thermostat Kit
Replaces: Volvo 875784
74 C



9-43007
Thermostat Kit
Replaces: Volvo 875791
60 C



9-43008
Thermostat Kit
Replaces: Volvo 875787, 3831425
76 C



9-43009
Thermostat Kit
Replaces: Volvo 875788, 3831426
70 C



9-43010
Thermostat Kit
Replaces: Volvo 875580
82 C



9-43011
Thermostat Kit
Replaces: Volvo 875795
74 C



9-43012
Thermostat Kit
Replaces: Volvo 875785
71 C



9-43013
Thermostat
Replaces: Mercruiser 807252T1 / Chrysler 4142885 / Crusader 96319 / Pleasurecraft R026002E
140 degree
Fits: Merc 60/80/110/120 w/alum. Manifold, 140/150/160 in-line 6cyl. GM V-6, V-8 engines up to 1995 w/2 pc thermostat hsgs, and Ford V-8



9-43015
Thermostat
Replaces: Mercruiser 864493
170 degree
Fits: MCM 4.3L MPI, 5.0L MPI, & MX 6.2L w/dry joint exhaust & closed cooling



9-43016
Thermostat
Replaces: Mercruiser 99155-1
160 degree
1998 & newer V-6 & V-8 w/closed cooling



INBOARD & STERNDRIVE COOLING SYSTEM PARTS




9-43017
Thermostat
Replaces: Mercruiser 863358
160 degree
Fits: 496 magnum & HO , 8.1L MIE & HO



9-43018
Thermostat Kit
Replaces: VOLVO 875781-7, 876097
60 C



9-43020
Thermostat Kit
Mercruiser 59078
140 degree



9-43021
Thermostat
Replaces: OMC 383307
160 degree



9-43024
Thermostat
Replaces: Mercruiser 47594
143 degree
Fits: MCM GM in-line 6 cyl.



9-43026
Thermostat
Replaces: Volvo 3853983, OMC
Fits: late model 7.4L & 8.2L
140 degree (60C)



9-43028
Thermostat
Replaces: Volvo 3856961, OMC
160 degree (71C)
Fits: late model 4.3L - 8.2L



9-43033
Thermostat & Housing Assembly
Replaces: Indmar S986110 , PCM
Fits: GM 6.0L



9-43100
Thermostat Kit
160 degree
Fits: Mercruiser



9-43150
Thermostat Kit
Replaces: Mercruiser
For: Many w/old design housing and
142° t-stat



9-43151
Thermostat Kit
Replaces: Mercruiser 807252Q3
For: 1982&older Ford/GM eng. w/std cooling/1996&
older hi-perf. w/clsd cooling



9-43152
Thermostat Kit
Contains: Mercruiser 27-90556,
27-47510, 27-60208, 27-48818-1, 59137
For: 3.7L 4 cyl.



9-43153
Thermostat Kit
Replaces: Mercruiser 59078T 3
For: Gm inline 4 & 6 cyl.



9-43154
Thermostat Kit
Replaces: Crusader 97361 / PCM
RP026002E
For: CH190/220/270/350



9-43156
Thermostat Kit
Replaces: OMC
For: Most OMC up to 1988



9-43157
Thermostat Kit
Replaces: Mercruiser 807252Q5
For: 1987 & newer GM engines
w/160 t-stat & standard cooling

CHRYSLER THERMOSTAT APPLICATIONS

| Model | Years | OEM # | Temp. °F | Part # |
|----------------------------------|--------------|---------|----------|---------|
| All V-8 models w/Rochester Carb. | 1986-present | 4142885 | 140 | 9-43013 |
| All V-8 models w/Rochester Carb. | 1986-present | 4147225 | 160 | 9-43000 |



INBOARD & STERNDRIVE COOLING SYSTEM PARTS



CRUSADER THERMOSTAT APPLICATIONS

| Model | CID | OEM # | Temp. Deg. (F) | Thermostat Part # | Thermostat Kit # |
|------------|-----|-------|----------------|-------------------|------------------|
| 165 | 229 | 96358 | 160 | 9-43000 | |
| CH190, 220 | 305 | 96319 | 142 | 9-43013 | 9-43154 |
| CH190, 220 | 305 | 96358 | 160 | 9-43000 | |
| 270 | 350 | 96319 | 142 | 9-43013 | 9-43154 |
| 270 | 350 | 96358 | 160 | 9-43000 | |
| 350 | 454 | 96319 | 142 | 9-43013 | 9-43154 |
| 350 | 454 | 96358 | 160 | 9-43000 | |
| | | | 97895 | 160 | 9-43003 |

PCM THERMOSTAT APPLICATIONS

| Model | CID | OEM # | Temp. Deg. (F) | Thermostat Part # | Thermostat Kit # |
|----------|-----------|----------|----------------|-------------------|------------------|
| Ford V-8 | 302 / 351 | R026002E | 142 | 9-43013 | 9-43154 |
| GM V-8 | 6.0L | S986110 | 160 | — | 9-43033 |

MERCUISER THERMOSTAT APPLICATIONS

| Models | Year | Cyl | Serial # | Thermostat Part # | Temp. Deg. (F) | Thermostat Kit # |
|-------------------------|-----------|----------|-------------------|-------------------|----------------|------------------|
| 60 | 1965-68 | L4 / 68 | 1887079-2049044 | 9-43013 | 140 | — |
| 80 | 1966-69 | L4 / 80 | 2049045-2851423 | 9-43013 | 140 | — |
| 90 | 1970-72 | L4 / 96 | 2851424-3226957 | 9-43024 | 143 | — |
| 110 | 1963-66 | L4 / 153 | 1537370-2044033 | 9-43013 | 140 | — |
| 120 | 1964-72 | L4 / 153 | 1666601-3377340 | 9-43013 | 140 | — |
| 120 / 2.5L | 1968-89 | L4 / 153 | 2324347-0C853255 | 9-43020 | 140 | 9-43153 |
| 140 / 3.0L | 1968-89 | L4 / 181 | 2508261-0C856558 | 9-43020 | 140 | 9-43153 |
| 3.0L w/closed cooling | 1990-94 | L4 / 181 | 0C856559-0F603999 | 9-43013 | 140 | 9-43157 |
| 3.0L | 1990-94 | L4 / 181 | 0C856559-0F603999 | 9-43020 | 140 | 9-43153 |
| 3.0L w/closed cooling | 1998-Up | L4 / 181 | 0L010042 & Up | 9-43013 | 140 | 9-43157 |
| 3.0L | 1998-2000 | L4 / 181 | 0L010042-0L340999 | 9-43020 | 140 | 9-43153 |
| 3.0L w/standard cooling | 2000-Up | L4 / 181 | 0L341000 & Up | 9-43013 | 140 | 9-43157 |
| 3.0LX | 1990-97 | L4 / 181 | 0C856559-0K999999 | 9-43020 | 140 | 9-43153 |
| 3.0LX w/closed cooling | 1990-97 | L4 / 181 | 0C856559-0K999999 | 9-43013 | 140 | 9-43157 |
| 165 | 1987 | L4 / 224 | 0B434941-0B774251 | 9-43001 | 160 | — |
| 170 | 1985-86 | L4 / 224 | 6916779-0B434940 | 9-43001 | 160 | — |
| 180 | 1987 | L4 / 224 | 0B436391-0B775248 | 9-43001 | 160 | — |
| 190 | 1985-86 | L4 / 224 | 6916779-0B436390 | 9-43001 | 160 | — |
| 3.7L | 1988-89 | L4 / 224 | 0B774252 & Up | 9-43001 | 160 | — |
| 3.7LX | 1988-89 | L4 / 224 | 0B775249 & Up | 9-43001 | 160 | — |
| 470 MCM / MIE | 1976-82 | L4 / 224 | 4208730-6218036 | 9-43000 | 160 | — |
| 470 | 1976-84 | L4 / 224 | 6218037-6916778 | 9-43001 | 160 | — |
| 485 | 1980-82 | L4 / 224 | 5685394-6218036 | 9-43000 | 160 | — |
| 488 | 1983-84 | L4 / 224 | 6710297-6916778 | 9-43001 | 160 | — |
| 140 | 1963 | L6 / 194 | 1538930-1725960 | 9-43013 | 140 | — |
| 150 | 1964-66 | L6 / 230 | 1666495-2048046 | 9-43013 | 140 | — |
| 160 | 1967-69 | L6 / 250 | 2048022-2770031 | 9-43013 | 140 | — |
| 160 | 1968-69 | L6 / 250 | 2326096-2770031 | 9-43024 | 143 | — |



INBOARD & STERNDRIVE COOLING SYSTEM PARTS



MERCURISER THERMOSTAT APPLICATIONS (CONTINUED)

| Models | Year | Cyl | Serial # | Thermostat Part # | Temp. Deg. (F) | Thermostat Kit # |
|--|-----------|-----------|-------------------|-------------------|----------------|------------------|
| 165 | 1970-81 | L6 / 250 | 2770032-5813433 | 9-43020 | 140 | 9-43153 |
| 200 | 1969 | L6 / 292 | 2453769-2712072 | 9-43024 | 143 | — |
| 185 | 1983-84 | V-6 / 229 | 6330183-6919655 | 9-43013 | 140 | 9-43150 |
| 175 | 1987 | V-6 / 262 | 0B527955-0B773242 | 9-43013 | 140 | 9-43150 |
| 185 | 1985-86 | V-6 / 262 | 0A331455-0B527954 | 9-43013 | 140 | 9-43150 |
| 205 | 1985-1987 | V-6 / 262 | 0B527955-0B775129 | 9-43013 | 140 | 9-43150 |
| 262 Mag EFI | 1996-97 | V-6 / 262 | 0F803800-0K999999 | 9-43002 | 160 | 9-43157 |
| 4.3L | 1987-95 | V-6 / 262 | 0B773243-0F601126 | 9-43013 | 140 | 9-43150 |
| 4.3L w/closed cooling | 1993-Up | V-6 / 262 | 0F000878 & Up | 9-43001 | 160 | — |
| 4.3L | 1996-Up | V-6 / 262 | 0F601127 & Up | 9-43002 | 160 | 9-43157 |
| 4.3L EFI w/closed cooling | 1998-2001 | V-6 / 262 | 0L012009-0M299999 | 9-43016 | 160 | — |
| 4.3L EFI | 1998-2001 | V-6 / 262 | 0L012009-0M299999 | 9-43002 | 160 | 9-43157 |
| 4.3L MPI | 2001-Up | V-6 / 262 | 0M300000 & Up | 9-43002 | 160 | 9-43157 |
| 4.3L MPI w/closed cooling | 2001-Up | V-6 / 262 | 0M300000 & Up | 9-43016 | 160 | — |
| 4.3L MPI | 2002-Up | V-6 / 262 | 0M615000 & Up | 9-43015 | 170 | — |
| 4.3LH | 1998-2002 | V-6 / 262 | 0L010044-0M614999 | 9-43002 | 160 | 9-43157 |
| 4.3LH w/closed cooling | 1998-2002 | V-6 / 262 | 0L010044-0M614999 | 9-43016 | 160 | — |
| 4.3LX | 1988-95 | V-6 / 262 | 0B775130-0F601126 | 9-43013 | 140 | — |
| 4.3LX w/closed cooling | 1993-97 | V-6 / 262 | 0F001220-0K999999 | 9-43016 | 160 | — |
| 4.3LX | 1996-97 | V-6 / 262 | 0F601127-0K999999 | 9-43002 | 160 | 9-43157 |
| 4.3LXH | 1996-97 | V-6 / 262 | 0F803114-0K999999 | 9-43002 | 160 | 9-43157 |
| 4.3LXH w/closed cooling | 1996-97 | V-6 / 262 | 0F803114-0K999999 | 9-43016 | 160 | — |
| 190 | 1963-64 | V-8 / 283 | 1564539-1730903 | 9-43013 | 140 | — |
| 215 MCM & MIE (Ford) | 1970 | V-8 / 302 | 2781153-3040410 | 9-43013 | 140 | — |
| 215 MCM & MIE (Ford) | 1971-72 | V-8 / 302 | 3040411-3563181 | 9-43013 | 140 | 9-43151 |
| 225 MCM & MIE (Ford) | 1973-74 | V-8 / 302 | 3385721-4176999 | 9-43013 | 140 | 9-43151 |
| 888,188 (Ford) | 1971-77 | V-8 / 302 | 3108723-4887829 | 9-43013 | 140 | 9-43151 |
| 233 MCM & MIE (Ford) | 1975-77 | V-8 / 351 | 4173000-4902304 | 9-43013 | 140 | 9-43151 |
| 255 MCM & MIE (Ford) | 1973-74 | V-8 / 351 | 3385721-4166999 | 9-43013 | 140 | 9-43151 |
| 198 MIE | 1977 | V-8 / 305 | 4776402-4931099 | 9-43013 | 140 | 9-43151 |
| 898 | 1977-82 | V-8 / 305 | 4762210-6217461 | 9-43013 | 140 | 9-43151 |
| 898 | 1983-84 | V-8 / 305 | 6218462-6899057 | 9-43013 | 140 | 9-43150 |
| 200 | 1985-87 | V-8 / 305 | 6899058-0B774444 | 9-43013 | 140 | 9-43150 |
| 228 | 1977-82 | V-8 / 305 | 4765100-6218461 | 9-43013 | 140 | 9-43151 |
| 228 | 1982-84 | V-8 / 305 | 6218462-6899268 | 9-43013 | 140 | 9-43150 |
| 228 MIE | 1977-80 | V-8 / 305 | 4765100-5907057 | 9-43013 | 140 | 9-43151 |
| 230 | 1985-87 | V-8 / 305 | 6899269-0B773739 | 9-43013 | 140 | 9-43150 |
| 230 MIE | 1981-87 | V-8 / 305 | 5907058-0B78151 | 9-43013 | 140 | 9-43150 |
| 5.0L | 1988-95 | V-8 / 305 | 0B774445-0F600999 | 9-43013 | 140 | 9-43150 |
| 5.0L (w/design III t-stat hsg) | 1988-95 | V-8 / 305 | 0B774445-0F600999 | 9-43002 | 160 | 9-43157 |
| 5.0L (Gen +) w/closed cooling | 1998-Up | V-8 / 305 | 0L015751 & Up | 9-43016 | 160 | — |
| 5.0L (Gen +) w/closed cooling & dry exh. | 1998-Up | V-8 / 305 | 0L015751 & Up | 9-43015 | 170 | — |
| 5.0L (Gen +) | 2002-Up | V-8 / 305 | 0M600000 & Up | 9-43002 | 160 | 9-43157 |
| 5.0L EFI w/closed cooling | 1998-2001 | V-8 / 305 | 0L012502-0L299999 | 9-43016 | 160 | — |
| 5.0L EFI | 1998-2001 | V-8 / 305 | 0L012502-0L299999 | 9-43002 | 160 | 9-43157 |



INBOARD & STERNDRIVE COOLING SYSTEM PARTS



MERCURISER THERMOSTAT APPLICATIONS (CONTINUED)

| Models | Year | Cyl | Serial # | Thermostat Part # | Temp. Deg. (F) | Thermostat Kit # |
|--------------------------------------|-----------|-----------|-------------------|-------------------|----------------|------------------|
| 5.0L MIE | 1988 | V-8 / 305 | 0B788152-0C396832 | 9-43013 | 140 | 9-43150 |
| 5.0L MIE w/closed cooling | 1988 | V-8 / 305 | 0B788152-0C396832 | 9-43013 | 140 | 9-43151 |
| 5.0L MPI w/closed cooling | 2001-2002 | V-8 / 305 | 0M300000-0M599999 | 9-43016 | 160 | — |
| 5.0L MPI w/closed cooling & dry ehx. | 2001-Up | V-8 / 305 | 0M600000 & Up | 9-43015 | 170 | — |
| 5.0L MPI w/standard cooling | 2001-Up | V-8 / 305 | 0M300000 & Up | 9-43002 | 160 | 9-43157 |
| 5.0LX | 1988-95 | V-8 / 305 | 5907058-0F600999 | 9-43013 | 140 | 9-43150 |
| 5.0LX | 1988-95 | V-8 / 305 | 5907058-0F600999 | 9-43002 | 160 | 9-43157 |
| 225 | 1963-69 | V-8 / 327 | 1539620-2694014 | 9-43013 | 140 | — |
| 250 MCM & MIE | 1968-69 | V-8 / 327 | 2314301-2639854 | 9-43013 | 140 | 9-43151 |
| 250 | 1977 | V-8 / 350 | 4768000-4908849 | 9-43013 | 140 | 9-43151 |
| 255 MCM & MIE | 1975-80 | V-8 / 350 | 4175500-5907057 | 9-43013 | 140 | 9-43151 |
| 260 | 1978-82 | V-8 / 350 | 4908850-6218461 | 9-43013 | 140 | 9-43151 |
| 260 | 1982-87 | V-8 / 350 | 6218462-0B788151 | 9-43013 | 140 | 9-43150 |
| 260 MIE | 1981-87 | V-8 / 350 | 5907058-0B788151 | 9-43013 | 140 | 9-43150 |
| 260 MIE w/closed cooling | 1981-87 | V-8 / 350 | 5907058-0B788151 | 9-43013 | 140 | 9-43151 |
| 270 MCM & MIE | 1969-72 | V-8 / 350 | 2851074-3385720 | 9-43013 | 140 | 9-43151 |
| 280 TRS | 1975-76 | V-8 / 350 | 4176250-4771099 | 9-43013 | 140 | 9-43151 |
| 300 | 1985-86 | V-8 / 350 | 6668677-0B430367 | 9-43013 | 140 | 9-43150 |
| 320 EFI | 1987-89 | V-8 / 350 | 0A543604-0C622418 | 9-43013 | 140 | 9-43151 |
| 350 Mag | 1986-95 | V-8 / 350 | 0A635178-0F600999 | 9-43013 | 140 | 9-43150 |
| 350 Mag, EFI, MPI, Ski | 1987-97 | V-8 / 350 | 0B525982-0K999999 | 9-43002 | 160 | 9-43157 |
| 350 Mag MPI | 1988-2002 | V-8 / 350 | 0L010019-0M599999 | 9-43016 | 160 | — |
| 350 Mag MPI | 1988-2004 | V-8 / 350 | 0L010019 & Up | 9-43002 | 160 | 9-43157 |
| 350 Mag MPI | 2002-2004 | V-8 / 350 | 0M600000 & Up | 9-43015 | 170 | — |
| 350 Mag MPI Horizon | 2001-2003 | V-8 / 350 | 0M300000-0M599999 | 9-43016 | 160 | — |
| 350 Mag MPI Horizon | 2001-Up | V-8 / 350 | 0M600000 & Up | 9-43015 | 170 | — |
| 350 Mag MPI Horizon MIE | 1999-Up | V-8 / 350 | 0L304700 & Up | 9-43016 | 160 | — |
| 350 Mag MPI MIE | 1988-Up | V-8 / 350 | 0L002008 & Up | 9-43016 | 160 | — |
| 350 Mag MPI MIE | 1988-Up | V-8 / 350 | 0L002008 & Up | 9-43002 | 160 | 9-43157 |
| 350 Mag MPI Ski | 1995-Up | V-8 / 350 | 0F350583-0M299999 | 9-43002 | 160 | 9-43157 |
| 350 Mag Ski | 1991-96 | V-8 / 350 | 0D505450-0K040399 | 9-43013 | 140 | 9-43150 |
| 350 Mag Ski | 1991-97 | V-8 / 350 | 0D505450-0K999999 | 9-43002 | 160 | 9-43157 |
| 5.7L | 1988-95 | V-8 / 350 | 0B773305-0F600999 | 9-43013 | 140 | 9-43150 |
| 5.7L | 1988-97 | V-8 / 350 | 0B773305-0K999999 | 9-43002 | 160 | 9-43157 |
| 5.7L | 1997 | V-8 / 350 | 0K001527-0K999999 | 9-43016 | 160 | — |
| 5.7L (Gen+) | 1998-Up | V-8 / 350 | 0L010037 & Up | 9-43016 | 160 | — |
| 5.7L (Gen+) | 2002-Up | V-8 / 350 | 0M600000 & Up | 9-43015 | 170 | — |
| 5.7L (Gen+) | 2002-Up | V-8 / 350 | 0M600000 & Up | 9-43002 | 160 | — |
| 5.7L EFI | 1995-2001 | V-8 / 350 | 0F225560-0M299999 | 9-43002 | 160 | 9-43157 |
| 5.7L EFI | 1997-2001 | V-8 / 350 | 0K001506-0M299999 | 9-43016 | 160 | — |
| 5.7L EFI MIE (Gen +) | 1997 | V-8 / 350 | 0K040300-0K999999 | 9-43016 | 160 | — |
| 5.7L EFI MIE (Gen +) | 1997 | V-8 / 350 | 0K040300-0K999999 | 9-43002 | 160 | 9-43157 |
| 5.7L MIE | 1988-95 | V-8 / 350 | 0B788152-0F600999 | 9-43013 | 140 | 9-43150 |
| 5.7L MIE | 1988-Up | V-8 / 350 | 0B788152 & Up | 9-43002 | 160 | 9-43157 |
| 5.7L MIE | 1997-Up | V-8 / 350 | 0K040307 & Up | 9-43016 | 160 | — |

INBOARD & STERNDRIVE COOLING SYSTEM PARTS



MERCURISER THERMOSTAT APPLICATIONS (CONTINUED)

| Models | Year | Cyl | Serial # | Thermostat Part # | Temp. Deg. (F) | Thermostat Kit # |
|--------------------------------------|-----------|-----------|-------------------|-------------------|----------------|------------------|
| 5.7L MIE | 2002-Up | V-8 / 350 | 0M317000 & Up | 9-43015 | 170 | — |
| 5.7L Ski | 1985-95 | V-8 / 350 | 0A338533-0F775199 | 9-43013 | 140 | 9-43150 |
| 5.7L Ski | 1996-Up | V-8 / 350 | 0F775200 & Up | 9-43002 | 160 | 9-43157 |
| 5.7 LX & Bravo EFI | 1995-97 | V-8 / 350 | 0F601000-0K999999 | 9-43002 | 160 | 9-43157 |
| 5.7 LX & Bravo EFI | 1997 | V-8 / 350 | 0K001506-0K999999 | 9-43016 | 160 | — |
| 377 Scorpion MCM | 1999-2000 | V-8 / 377 | 0L416146 & UP | 9-43013 | 140 | — |
| 377 Scorpion MCM | 1997-98 | V-8 / 377 | 0K000656 & UP | 9-43002 | 160 | 9-43157 |
| MX 6.2L MPI w/closed cooling | 2000-Up | V-8 / 377 | 0L680003 & Up | 9-43016 | 160 | — |
| MX 6.2L MPI | 2001-Up | V-8 / 377 | 0L680003 & Up | 9-43002 | 160 | 9-43157 |
| MX 6.2L MPI w/closed cooling | 2002-Up | V-8 / 377 | 0M600000 & Up | 9-43015 | 170 | — |
| MX 6.2L MPI Horizon w/closed cooling | 2001-2002 | V-8 / 377 | 0M300000-0M599999 | 9-43016 | 160 | — |
| MX 6.2L MPI Horizon w/closed cooling | 2002-Up | V-8 / 377 | 0M600000 & UP | 9-43015 | 170 | — |
| MX 6.2L MPI MIE & Horizon MIE | 2001-Up | V-8 / 377 | 0M300000 & UP | 9-43016 | 160 | — |
| MX 6.2L MPI MIE | 2001-Up | V-8 / 377 | 0M300000 & UP | 9-43002 | 160 | 9-43157 |
| 325 MCM & MIE | 1969-72 | V-8 / 454 | 2278747-3780449 | 9-43013 | 140 | 9-43151 |
| 330 MIE | 1977-81 | V-8 / 454 | 4623115-6083144 | 9-43013 | 140 | 9-43151 |
| 330 MIE w/closed cooling | 1982-87 | V-8 / 454 | 6083145-0B816540 | 9-43013 | 140 | 9-43151 |
| 330 MIE w/standard cooling | 1982-87 | V-8 / 454 | 6083145-0B816540 | 9-43013 | 140 | 9-43150 |
| 340 MIE w/closed cooling | 1981-87 | V-8 / 454 | 5889914-0B788365 | 9-43013 | 140 | 9-43151 |
| 340 MIE w/standard cooling | 1981-87 | V-8 / 454 | 5889914-0B788365 | 9-43013 | 140 | 9-43150 |
| 350 MIE | 1974-76 | V-8 / 454 | 3780450-4623109 | 9-43013 | 140 | 9-43151 |
| 370 | 1978-85 | V-8 / 454 | 4179554-6721527 | 9-43013 | 140 | 9-43151 |
| 370 | 1985-87 | V-8 / 454 | 6721528-0B714586 | 9-43013 | 140 | 9-43150 |
| 400 | 1980-86 | V-8 / 454 | 4179554-0B457644 | 9-43013 | 140 | 9-43151 |
| 420 | 1987-89 | V-8 / 454 | 0A398941-0B622418 | 9-43013 | 140 | 9-43151 |
| 425 | 1990-93 | V-8 / 454 | 0A398941-0D937011 | 9-43013 | 140 | — |
| 440 | 1983-86 | V-8 / 454 | 4179554-0B485220 | 9-43013 | 140 | 9-43151 |
| 450 | 1995-96 | V-8 / 454 | 0F347100-0F347277 | 9-43013 | 140 | — |
| 525 | 1991-97 | V-8 / 454 | 0D456000 & Up | 9-43013 | 140 | — |
| 454 Mag Alpha/Bravo | 1986-94 | V-8 / 454 | 0A631894-0F304999 | 9-43013 | 140 | 9-43150 |
| 454 Mag Bravo | 1995-97 | V-8 / 454 | 0F305000-0K999999 | 9-43002 | 160 | 9-43157 |
| 454 Mag EFI & EFI Ski | 1995-97 | V-8 / 454 | 0F115700-0K999999 | 9-43002 | 160 | 9-43157 |
| 454 Mag MPI | 1996-2001 | V-8 / 454 | 0F802350-0M249999 | 9-43016 | 160 | — |
| 454 Mag MPI Horizon MIE | 1998-2001 | V-8 / 454 | 0L002200-0L674000 | 9-43016 | 160 | — |
| 454 Mag MPI Ski | 1996-97 | V-8 / 454 | 0F820100-0K999999 | 9-43016 | 160 | — |
| 525 SC | 1991-99 | V-8 / 454 | 0D456000-0L415623 | 9-43013 | 140 | 9-43150 |
| 7.4L | 1988-94 | V-8 / 454 | 0B771113-0F351999 | 9-43013 | 140 | 9-43150 |
| 7.4L, 7.4L EFI MIE | 1995-97 | V-8 / 454 | 0F352000-0K999999 | 9-43002 | 160 | 9-43157 |
| 7.4L EFI MIE | 1996-97 | V-8 / 454 | 0F874815-0K999999 | 9-43016 | 160 | — |
| 7.4L MIE | 1988-94 | V-8 / 454 | 0B788366-0F349999 | 9-43013 | 140 | 9-43150 |
| 7.4L MIE | 1989-97 | V-8 / 454 | 0D715494-0K999999 | 9-43002 | 160 | 9-43157 |
| 7.4L MPI | 1998-2001 | V-8 / 454 | 0L010003-0M024330 | 9-43002 | 160 | 9-43157 |



INBOARD & STERNDRIVE COOLING SYSTEM PARTS



MERCURISER THERMOSTAT APPLICATIONS (CONTINUED)

| Models | Year | Cyl | Serial # | Thermostat Part # | Temp. Deg. (F) | Thermostat Kit # |
|-------------------|-----------|-----------|-------------------|-------------------|----------------|------------------|
| 7.4L MPI MIE | 1995-2001 | V-8 / 454 | 0F563052-0M025999 | 9-43016 | 160 | — |
| 7.4LX EFI, MPI | 1996-97 | V-8 / 454 | 0F602010-0K999999 | 9-43002 | 160 | 9-43157 |
| 390 MCM & MIE | 1969-70 | V-8 / 482 | 2781129-3042731 | 9-43013 | 140 | 9-43150 |
| 460 | 1983-86 | V-8 / 482 | 4179554-6181046 | 9-43013 | 140 | 9-43150 |
| 496 Mag & HO | 2001-Up | V-8 / 496 | 0M025000 & Up | 9-43017 | 160 | — |
| 8.1L & HO MIE | 2001-Up | V-8 / 496 | 0M026000 & Up | 9-43017 | 160 | — |
| 465 | 1990-94 | V-8 / 502 | 0C849992-0F213244 | 9-43013 | 140 | 9-43150 |
| 500, 500 EFI | 1994-2005 | V-8 / 502 | 0F213293 & Up | 9-43013 | 140 | 9-43150 |
| 502 Mag | 1990-93 | V-8 / 502 | 0C878221-0F114528 | 9-43013 | 140 | 9-43150 |
| 502 EFI & Mag MPI | 1993-2001 | V-8 / 502 | 0D840650-0M024999 | 9-43002 | 160 | 9-43157 |
| 502 Mag MPI | 1998-2001 | V-8 / 502 | 0L085001 & Up | 9-43016 | 160 | — |
| 525 EFI | 2003-Up | V-8 / 502 | 0M900146 & Up | 9-43017 | 160 | — |
| 600 | 1991-96 | V-8 / 502 | 0D456489-0F877642 | 9-43013 | 140 | — |
| 8.2L MIE | 1990-92 | V-8 / 502 | 0C878221-0D857199 | 9-43013 | 140 | 9-43150 |
| 8.2L MIE | 1993-96 | V-8 / 502 | 0D857200-0F350274 | 9-43002 | 160 | 9-43157 |
| 8.2L MPI MIE | 1996-2001 | V-8 / 502 | 0F819620-0L674200 | 9-43002 | 160 | 9-43157 |
| 8.2L MPI MIE | 1996-2001 | V-8 / 502 | 0F819620-0L674200 | 9-43016 | 160 | — |
| 500 Bulldog | 1990-2001 | V-8 | 0C577254-0M050281 | 9-43013 | 140 | — |
| 575 | 1986-92 | V-8 | 0A677429-0D763716 | 9-43013 | 140 | 9-43150 |

OMC THERMOSTAT APPLICATIONS

| Models | Years | Temp Deg. (F) | OEM # | Thermostat Part # | Thermostat Kit # |
|--------|---------|---------------|--------|-------------------|------------------|
| 90 | 1970 | 160 | 383307 | 9-43021 | 9-43156 |
| 100 | 1972-73 | 160 | 383307 | 9-43021 | 9-43156 |
| 120 | 1969-80 | 160 | 383307 | 9-43021 | 9-43156 |
| 140 | 1973-80 | 160 | 383307 | 9-43021 | 9-43156 |
| 155 | 1969-72 | 160 | 383307 | 9-43021 | 9-43156 |
| 165 | 1972-76 | 160 | 383307 | 9-43021 | 9-43156 |
| 170 | 1974 | 160 | 383307 | 9-43021 | 9-43156 |
| 175 | 1975-77 | 160 | 383307 | 9-43021 | 9-43156 |
| 185 | 1978-80 | 160 | 383307 | 9-43021 | 9-43156 |
| 190 | 1974-77 | 160 | 383307 | 9-43021 | 9-43156 |
| 200 | 1979-81 | 160 | 383307 | 9-43021 | 9-43156 |
| 210 | 1969-72 | 160 | 383307 | 9-43021 | 9-43156 |
| 215 | 1971 | 160 | 383307 | 9-43021 | 9-43156 |
| 225 | 1971 | 160 | 383307 | 9-43021 | 9-43156 |
| 230 | 1979-81 | 160 | 383307 | 9-43021 | 9-43156 |
| 235 | 1971 | 160 | 383307 | 9-43021 | 9-43156 |
| 235 | 1975-77 | 160 | 383307 | 9-43021 | 9-43156 |
| 240 | 1978 | 160 | 383307 | 9-43021 | 9-43156 |
| 245 | 1972-75 | 160 | 383307 | 9-43021 | 9-43156 |
| 250 | 1970-73 | 160 | 383307 | 9-43021 | 9-43156 |
| 250 | 1979 | 160 | 383307 | 9-43021 | 9-43156 |
| 260 | 1979-81 | 160 | 383307 | 9-43021 | 9-43156 |
| 262 | 1989 | 160 | 383307 | 9-43021 | — |
| 305 | 1977-82 | 160 | 383307 | 9-43021 | 9-43156 |



INBOARD & STERNDRIVE COOLING SYSTEM PARTS



OMC THERMOSTAT APPLICATIONS (CONTINUED)

| Models | Years | Temp Deg. (F) | OEM # | Thermostat Part # | Thermostat Kit # |
|----------|---------|---------------|---------|-------------------|------------------|
| 350 | 1977-82 | 160 | 383307 | 9-43021 | 9-43156 |
| 350 | 1989 | 160 | 383307 | 9-43021 | — |
| 351 | 1992 | 160 | 383307 | 9-43021 | — |
| 454 | 1977-82 | 160 | 383307 | 9-43021 | 9-43156 |
| 460 | 1989 | 160 | 383307 | 9-43021 | — |
| 3.8L | 1981-85 | 160 | 383307 | 9-43021 | 9-43156 |
| 4.3L | 1985-86 | 160 | 383307 | 9-43021 | 9-43156 |
| 4.3L | 1989-92 | 160 | 383307 | 9-43021 | — |
| 4.3L | 1994-97 | 140 | 3853983 | 9-43026 | — |
| 4.3L HO | 1991-97 | 140 | 3853983 | 9-43026 | — |
| 5.0L | 1982-88 | 160 | 383307 | 9-43021 | 9-43156 |
| 5.0L | 1989-92 | 160 | 383307 | 9-43021 | — |
| 5.0L | 1994-97 | 140 | 3853983 | 9-43026 | — |
| 5.7L | 1982-88 | 160 | 383307 | 9-43021 | 9-43156 |
| 5.7L | 1989 | 160 | 383307 | 9-43021 | — |
| 5.8L | 1989-92 | 160 | 383307 | 9-43021 | — |
| 5.8L | 1994-97 | 140 | 3853983 | 9-43026 | — |
| 5.8L EFI | 1993-97 | 140 | 3853983 | 9-43026 | — |
| 7.4L | 1994-97 | 140 | 3853983 | 9-43026 | — |
| 7.5L | 1988 | 160 | 383307 | 9-43021 | 9-43156 |

VOLVO PENTA THERMOSTAT APPLICATIONS

| Diesel Models | Part # | Temp. °C | OEM # |
|-----------------------------|---------|----------|--------|
| 2002,B, 2003, B, 2003T, TB | 9-43011 | 74 | 875795 |
| MD1B | 9-43003 | 75 | 875780 |
| MD11C, D, MD17C, D | 9-43006 | 74 | 875784 |
| MD40A, TMD40A, B, TAM40A, B | 9-43008 | 76 | 875787 |
| MD40A, TMD40A, B, TAM40A, B | 9-43009 | 70 | 875788 |
| AQD40A, AQAD40A, B | 9-43008 | 76 | 875787 |
| AQD40A, AQAD40A, B | 9-43009 | 70 | 875788 |
| TMD40C | 9-43009 | 70 | 875788 |
| AQ 60F | 9-43003 | 60 | 875780 |
| AQ 90, 95, 95A, 110, 120 | 9-43018 | 60 | 875781 |
| AQ130A, B, C, D | 9-43018 | 60 | 875781 |
| AQ165A, AQ170A, B, C | 9-43005 | 55 | 875791 |
| AQ120B, AQ125A, B | 9-43010 | 82 | 875580 |
| AQ131A, B, C, D | 9-43010 | 82 | 875580 |
| AQ140A, 145A, B | 9-43010 | 82 | 875580 |
| AQ151A, B, C | 9-43010 | 82 | 875580 |
| AQ171A, C | 9-43010 | 82 | 875580 |
| AQ175A, AQ190A | 9-43004 | 60 | 876305 |
| AQ200B, C, D, F | 9-43004 | 60 | 876305 |
| AQ205 | 9-43004 | 60 | 876305 |
| AQ211A | 9-43004 | 60 | 876305 |



VOLVO PENTA THERMOSTAT APPLICATIONS (CONTINUED)

| Diesel Models | Part # | Temp. °C | OEM # |
|-------------------------|---------|----------|---------|
| AQ225B, C, D, E, F | 9-43004 | 60 | 876305 |
| AQ231A, B, | 9-43004 | 60 | 876305 |
| AQ240A, AQ255A, B | 9-43004 | 60 | 876305 |
| AQ260A, B | 9-43004 | 60 | 876305 |
| AQ271A, B, C, D | 9-43004 | 60 | 876305 |
| AQ280A, AQ290A | 9-43004 | 60 | 876305 |
| AQ311A, B | 9-43004 | 60 | 876305 |
| MB10A, MB18F | 9-43003 | 60 | 875780 |
| BB 30 | 9-43003 | 60 | 875780 |
| BB 100 | 9-43005 | 55 | 875791 |
| MB 18 | 9-43005 | 55 | 875791 |
| BB115A, B, C | 9-43018 | 60 | 875781 |
| BB140A, 145A | 9-43010 | 82 | 875580 |
| BB165A, 170A, B, C | 9-43005 | 55 | 875791 |
| BB225A, B, C | 9-43004 | 60 | 876305 |
| BB231A | 9-43004 | 60 | 876305 |
| BB260A, B, C, BB261A | 9-43004 | 60 | 876305 |
| 230A, B, 250A, B, 251A | 9-43010 | 82 | 875580 |
| 430A, B 431A, B | 9-43004 | 60 | 876305 |
| 432A, 434A | 9-43004 | 60 | 876305 |
| 500A, B | 9-43004 | 60 | 876305 |
| 501A, B | 9-43004 | 60 | 876305 |
| 570A, 572A, 570A/MS 4A | 9-43004 | 60 | 876305 |
| 571A | 9-43004 | 60 | 876305 |
| 740A, B | 9-43004 | 60 | 876305 |
| 4.3 GL, 4.3GS, 4.3Gi | 9-43028 | 71 | 3856961 |
| 5.0 FL, 5.0 Fi, | 9-43028 | 71 | 3856961 |
| 5.7 GL, 5.7Gi | 9-43028 | 71 | 3856961 |
| 5.8 FL, 5.8Fi, 5.8 FSi | 9-43028 | 71 | 3856961 |
| 7.4 GL, 7.4 Gi, 7.4 GSi | 9-43026 | 60 | 3853983 |
| 8.2GL, 8.2GSi | 9-43026 | 60 | 3853983 |

9-42500
Thermostat Housing
Mercruiser 860256A4 MCM & MIE
V-6-V-8 (305&350cid) w/Brava Drive

9-42501
Thermostat Housing
Mercruiser 861188A1
MCM/MIE GM V6-V8 (305, 350, 454, & 502) w/ closed cooling

9-42502
Thermostat Housing
Mercruiser 87290A4
MCM/MIE GM V6-V8 (305, 350, 454, 502 & 504 cid) early design

9-42503
Thermostat Housing
Mercruiser 47442A1
MCM/MIE GM V6-V8 (454 & 502cid) & Hi Perf. 454/482 cid (Off-set Bolt pattern)

9-42504
Thermostat Housing
Mercruiser 55131A5
MCM/MIE GM V-8
(305, 350, 454, & 502 cid) w/
closed cooling

9-42505
Thermostat Housing
Mercruiser 90736A18
MCM/MIE 185 (229 cid) 330,
340, 7.4L, 454 Mag, 370, 425
& 465

9-42506
Thermostat Housing
Mercruiser 47441A1
MCM/MIE GM V6-V8 (305 &
350cid) & Hi Perf. 454, 502 & 540
cid (Straight accross Bolt pattern)

9-42720
Cap, plug off
Replaces: OMC/Volvo
909829/3852476
Fits: 1" I.D. for 4.3 L - 8.2 L

9-42721
Cap, plug off
Replaces: OMC 909830
Fits: 1 1/4" I.D. for V-8 models
1977 - up

INBOARD & STERNDRIVE COOLING SYSTEM PARTS



9-41200
Drain Assy.
Mercruiser 22-806926A1
MCM & MIE V-6 & V-8 w/
center riser manifolds



9-41206
Drain Assy. Stainless Steel
Replaces: Mercruiser
22-862210A01
MCM & MIE V6 & V8 w/ center
riser manifolds



9-41201
Drain Cock
OMC 379957 & Others
Manifolds & Blocks w/ 1/4" NPT threads



9-41203
9-41203-10 (bulk pack)
Drain Plug & Seal
Mercruiser 806608A1
MCM & MIE V-6 & V-8 w/
center riser manifolds



9-41205
Plug
Replaces: Mercruiser 22-41622
Fits: 3/4 x 14 NPT
(Stainless Steel)



9-42800
Water Shutter, Exhaust
Replaces: Mercruiser 60930
Fits: 4 cyl - V-8 SB



9-42801
Water Shutter, Exhaust
Replaces: Mercruiser 99370A2
Fits: V-6 & V-8 1982-87



9-42802
Water Shutter, Exhaust
Replaces: Mercruiser
807166A3



9-44000
Exhaust Flapper 3"
Replaces: Mercruiser 34765A2
Fits: Universal 3" exhaust



9-44001
Exhaust Flapper 4"
Replaces: Mercruiser 12644A1
Fits: Universal 4" exhaust



9-44002
Exhaust Flapper 5-6"
Fits: Universal 5 and 6" exhaust



9-44003
Hose Connection
Replaces: Volvo 832846-0
Fits: AQ140A, 145A, 165A, 170A,
175D, 200D, 225D, 260A, 290A, 280,
280L, more



9-44004
Hose Kit
Volvo 875822



9-44050
Hose, Circulating Pump
Replaces: Mercruiser 32-96879
Fits: 2.5L, 3.0L, MCM 120/2.5L,
140/3.0L, 160/165



9-44051
Hose, Circulating Pump
Replaces: Mercruiser 32-89718-1
Fits: MCM/MIE GM 427, 454,
502



9-44052
Hose, Circulating Pump
Replaces: Mercruiser 32-33189
Fits: MCM/MIE 283, 305, 327,
350



9-44053
Hose, Circulating Pump
Replaces: Mercruiser 32-861590A05
Fits: MCM/MIE GM V-6 & 305,
350, 377



9-44054
Hose, Molded
Cooler to T-stat hsg
1-1/4" (32mm) I.D.
Replaces Mercruiser
32-806856
Fits: 4.3L/LX, 5.0L/LX, 5.7L/LX, 350
Mag



9-44055
Hose, Molded
T-stat hsg to exhaust manifold
1" (25mm) I.D.
Replaces Mercruiser 32-861634
Fits: 3.0L



9-44056
Hose, Molded
T-stat hsg to port
exhaust manifold
1-1/4" (32mm) I.D.
Replaces Mercruiser 32-16021-1
Fits: MCM/MIE GM V-6 &
305, 350



9-44057
Hose, Molded
T-stat hsg to port
exhaust manifold
1" (25mm) I.D.
Replaces Mercruiser 32-806635-1
Fits: MCM/MIE GM V-6 & 305, 350



9-44058
Hose, Molded
T-stat hsg to port
exhaust manifold
1" (25mm) I.D.
Replaces Mercruiser 32-860144
Fits: MCM/MIE GM V-6 & 305, 350,
377



9-44059
Hose, Molded
T-stat hsg to starboard
exhaust manifold
1" (25mm) / 13/16" (21mm) I.D.
Replaces Mercruiser 32-87117-1
Fits: 4.3L/LX, MCM/MIE 305, 350



9-44060
Hose, Molded
T-stat hsg to starboard exhaust manifold
1" (25mm) I.D.
Replaces Mercruiser 32-806636-1
Fits: MCM/MIE GM V-6 & 305, 350



9-44061
Hose, Molded
T-stat hsg to starboard exhaust manifold
1" (25mm) I.D.
Replaces Mercruiser 32-807697
Fits: MCM/MIE GM V-6 & 305, 350, 377



9-44062
Hose, Molded
T-stat hsg to exhaust manifolds & elbows
Replaces: Mercruiser 32-33220-70
1" (25mm) I.D. x 48" (1219mm) length



9-44063
Hose, Molded
T-stat hsg to starboard exhaust manifold
1" (25mm) / 13/16 (21mm) I.D.
Replaces: Mercruiser 32-89730-1
Fits: MCM/MIE V-8 454 & 502 engines 1982-92



9-44064
Hose, Molded
T-stat hsg to port exhaust manifold
Replaces: Mercruiser 32-89749
1" (25mm) / 13/16 (21mm) I.D.
Fits: MCM/MIE V-8 454 & 502 engines 1982-92



9-44065
Hose, Molded
T-stat hsg to exhaust manifold
1" (25mm) I.D.
Replaces: Mercruiser 32-52481
Fits: 3.0L



9-44066
Hose, Molded
Seawater pump to oil cooler
1 1/4" (32mm) I.D.
Replaces: Mercruiser 32-88795
Fits: MCM 4.3L/LX Bravo, MIE GM V-8 305 & 350 engines



9-44067
Hose, Molded
T-stat hsg to port exhaust manifold
1" (25mm) I.D.
Replaces: Mercruiser 32-862139
Fits: 4.3L/LH



9-44068
Hose, Molded
T-stat hsg to starboard exhaust manifold
1" (25mm) I.D.
Replaces: Mercruiser 32-806636-2
Fits: 262 Mag 1996-98



9-44069
Hose, Molded
T-stat hsg to starboard exhaust manifold
1" (25mm) I.D.
Replaces: Mercruiser 32-862124
Fits: 4.3L/LH 1998



9-44070
Hose, Molded
Cooler to T-stat hsg
1 1/4" (32mm) I.D.
Replaces: Mercruiser 32-808033
Fits: MCM/MIE V-6 & V-8 305, 350, 377 engines 1996-2002



9-44071
Hose, Molded
T-stat hsg to exhaust manifold
1" (25mm) I.D.
Replaces: Mercruiser 32-806993
Fits: 3.0L/LX 1990-98



9-44072
Hose, Molded
T-stat hsg to front of exhaust manifolds
1" (25mm) I.D.
Replaces: Mercruiser 32-48132
Fits: MCM/MIE V-8 305, 327, 350, 427, 454 engines 1969-95



9-44073
Hose, Molded
Transom to oil cooler
1 1/4" (32mm) I.D.
Replaces: Mercruiser 32-41642A3
Fits: MCM/MIE V-6 engines



9-44074
Hose, Molded
Transom to oil cooler
1 1/4" (32mm) I.D.
Replaces: Mercruiser 32-96246A4
Fits: MCM GM V-8 305, 350, 454 engines



9-44075
Hose, Molded
Cooler to T-stat hsg
1 1/4" (32mm) I.D.
Replaces: Mercruiser 32-807407
Fits: 7.4 & 8.2L MIE & 454, 502 Mag



9-44076
Hose, Molded
Cooler to T-stat hsg
1 1/4" (32mm) I.D.
Replaces: Mercruiser 32-896998
Fits: MCM/MIE GM V-8 427, 454, 502 engines



9-44077
Hose, Molded
Transom to oil cooler
1 1/4" (32mm) / 3/4" (19mm) I.D.
Replaces: Mercruiser 32-807661
Fits: MCM 3.0L, GM V-6 & V-8 305, 350 engines



9-44078
Hose, Molded
Seawater pump to oil cooler
1 1/4" (32mm) I.D.
Replaces: Mercruiser 32-860205
Fits: MCM V-6 engines



9-44079
Hose, Molded
Seawater pump to oil cooler
1 1/4" (32mm) I.D.
Replaces: Mercruiser 32-88795-2
Fits: MCM 5.0L/LX Bravo, MCM/MIE GM V-8 350 engines



9-44080
Hose, Molded
Seawater pump to oil cooler
1 1/4" (32mm) I.D.
Replaces: Mercruiser 32-808044-1
Fits: MCM/MIE GM V-8 305, 350, 377 engines

INBOARD & STERNDRIVE COOLING SYSTEM PARTS



9-44081
Hose, Molded
Oil cooler to oil cooler
1 1/4" (32mm) I.D.
Replaces: Mercruiser 32-860089-1
Fits: 5.0L, 5.7L/LX, 350 Mag & MX 6.2L MPI



9-44082
Hose, Molded
Cooler to T-stat hsg
1 1/4" (32mm) I.D.
Replaces: Mercruiser 32-806209-1
Fits: MCM V-6



9-44083
Hose, Molded
Cooler to T-stat hsg
1 1/4" (32mm) I.D.
Replaces: Mercruiser 32-16011
Fits: MCM V-8 305, 350, 454 engines



9-44084
Hose, Molded
Cooler to T-stat hsg
1 1/4" (32mm) I.D.
Replaces: Mercruiser 32-16012
Fits: 4.3L/LX, MIE 230/5.0L & 260/5.7L



9-44085
Hose, Molded
Transom to oil cooler
1" (25mm) / 3/4" (19mm) I.D.
Replaces: 32-815413
Fits: 3.0L/LX



9-44086
Hose, Molded
Cooler to T-stat hsg 1 1/4" (32mm) I.D.
Replaces: 32-88794
Fits: MCM 4.3L/LX Bravo & MIE GM V-8 305, 350 engines



9-44087
Hose, Molded
T-stat hsg to starboard exhaust manifold 1" (25mm) I.D.
Replaces: 32-807201
Fits: 7.4L & 8.2L / 454 & 502 Mag



9-44088
Hose, Molded
T-stat hsg to port exhaust manifold 1" (25mm) I.D.
Replaces: 32-973852
Fits: 7.4L & 8.2L MIE



9-44089
Hose, Molded
Cooler to T-stat hsg
1" (25mm) / 3/4" (19mm) I.D.
Replaces: 32-815412
Fits: 3.0L/LX



9-44090
Hose, Molded
Cooler to T-stat hsg
1" (25mm) / 3/4" (19mm) I.D.
Replaces: 32-806433
Fits: 3.0L/LX



9-44091
Hose, Molded
Cooler to T-stat hsg
1" 1/4" (32mm) / 1" (25mm) I.D. - 3.0L
Replaces: 32-861527
Fits: 3.0L



9-44092
Hose, Molded
Transom to T-stat hsg
1" 1/4" (32mm) / 1" (25mm) I.D.
Replaces: 32-861527
Fits: 3.0L



9-44093
Hose, Molded
Cooler to T-stat hsg
1" 1/4" (32mm) I.D. -
Replaces: 32-861512
Fits: 5.0L Alpha (Gen+)



9-44094
Hose, Molded
Oil cooler to oil cooler
1" 1/4" (32mm) I.D.
Replaces: 32-808045
Fits: MIE V-8 350 & MCM/MIE V-8 (454 & 502) engines



9-73100
Hose Clamp
Stainless Steel
Fits: 3/4" - 1-1/2" (18mm - 38mm)



9-73101
Hose Clamp
Stainless Steel
Fits: 2-1/2" - 3-1/2" (65mm - 89mm)



9-73102
Hose Clamp
Stainless Steel
Fits: 4" - 5" (103mm - 127mm)



9-73103
Hose Clamp
Stainless Steel
Fits: 3-1/2" - 4-1/2" (91mm - 114mm)



9-73104
Hose Clamp
Stainless Steel
Fits: 1" - 2" (27mm - 51mm)



9-42400
Coolant Temp Sensor
Replaces: Mercruiser / OMC / 806490T / 97257A1 / 980613
Fits: Used for Temp Gauge MCM/ MIE engines 3/8 x 18 NPT threads



9-42401
Coolant Temp Sensor
Replaces: Mercruiser / OMC / Crusader / 97258A1 / 171960
Fits: Used for Temp Gauge MCM/MIE engines 1/2 x 14 NPT threads



9-42402
Coolant Temp Sensor
Replaces: Mercruiser 805218T
Fits: Used for Temp Gauge MCM/MIE EFI models