

INBOARD ACCESSORIES

Cooling System



 <p>18-3304 IMPELLER KIT Replaces: Jabsco 6760-0001 For F9B Pumps DIA. 3 3/4" SIDE WIDTH 3 1/2" (Neoprene)</p>	<p>PKG. OF 2</p>  <p>18-3125 18-3125-9① WATER PUMP GASKET Replaces: Jabsco 3101-0000</p>	 <p>18-3076 IMPELLER KIT Includes: Impeller & Gaskets Replaces: Jabsco 22405-0001</p>
 <p>18-3306 IMPELLER KIT Replaces: Jabsco 13554-0001 DIA 2 1/4" SIDE WIDTH 1 15/16" (Neoprene)</p>	 <p>18-2005 SEAL Replaces: Jabsco 92700-0060</p>	 <p>18-3036 IMPELLER KIT Replaces: Jabsco 673-0003 (Nitrile)</p>
 <p>18-3038 IMPELLER KIT Replaces: Jabsco 920-0003, 179370001 (Nitrile)</p>	 <p>18-3077 IMPELLER KIT Replaces: Jabsco 17937-0001, 920-0001 12 SPLINES 8 FINS</p>	 <p>18-3046 IMPELLER KIT Replaces: Jabsco 18838-0001</p>
 <p>18-3047 IMPELLER KIT Replaces: Jabsco 18948-0001</p>	<p>② 18-3081D Display Package</p>  <p>18-3081 IMPELLER KIT Replaces: Jabsco 1210-0001 12 SPLINES 12 FINS</p>	

① Priced per Package

② Items ending in "D" are Display Packaged - Regular number is Non-Display

JABSCO COMPONENT APPLICATIONS

Pump Model	Impeller Kit	Oil Seal	Pump Model	Impeller Kit	Oil Seal	Pump Model	Impeller Kit	Oil Seal
777-0001	18-3077	18-2005	1673-9051	18-3081	—	3890-9011	18-3077	—
777-0003	18-3077	—	2300-9001	18-3077	—	5330-9001	18-3077	—
777-9003	18-3077	—	2300-9003	18-3077	—	5330-9101	18-3077	—
777-9004	18-3077	—	2300-9004	18-3077	—	5560-0001	18-3077	18-2005
777-9005	18-3077	—	2300-9005	18-3077	—	5660-0001	18-3077	18-2005
777-9051	18-3077	—	3270-0001	18-3081	18-2005	5850-0001	18-3081	18-2005
1673-0001	18-3081	18-2005	3270-0003	18-3081	18-2005	7120-9001	18-3077	—
1673-0003	18-3081	18-2005	3290-9001	18-3081	—	7320-9001	18-3077	—
1673-1001	18-3081	18-2005	3380-0001	18-3081	18-2005	8170-9001	18-3077	—
1637-1003	18-3081	18-2005	3480-9002	18-3081	—	17120-0001	18-3079	18-2005
1673-9001	18-3081	—	3480-9011	18-3081	—	22740-0301	—	18-2005
1673-9003	18-3081	—	3590-9001	18-3079	—	22740-0351	—	18-2005



**18-3080
IMPELLER KIT**

Replaces: Jabsco 673-0001;
Diameter 2" • Side Width 7/8"
(Neoprene)



**18-3078
IMPELLER KIT**

Replaces: Jabsco 836-0001
Diameter 3 3/4" • Side Width 2 1/2"
(Neoprene)



**18-3079
IMPELLER KIT**

Replaces: Jabsco 4528-0001
Diameter 1 9/16" • Side Width 3/4"
(Neoprene)



**18-3020
IMPELLER**

Replaces:
Jabsco 1210-0003
(Nitrile)



① **18-3075D**

Display Package

**18-3075
IMPELLER KIT**

Replaces: Jabsco 4568-0001, 2877-0001
Diameter 2 1/4" • Side Width 1 1/4"
(Neoprene)



**18-3037
IMPELLER KIT**

Replaces:
Jabsco 836-0003
Diameter 3 3/4" • Side Width 2 1/2"
(Nitrile)



**18-3021
IMPELLER**

Replaces: Jabsco 4598-0001
Diameter 2 9/16" • Side Width 2"
(Neoprene)

① Items ending in "D" are Display Packaged - Regular number is Non-Display

INBOARD ACCESSORIES

Cooling System



18-3080
IMPELLER KIT

Replaces: Johnson Pump 09-1026B
Diameter 2" • Side Width 7/8"
(Neoprene)



18-3077
IMPELLER KIT

Replaces: Johnson Pump 09-1028B
12 SPLINES 8 FINS



①**18-3081D**



18-3081
IMPELLER KIT

Replaces: Johnson Pump 09-1027B
12 SPLINES 12 FINS



18-3020
IMPELLER

Replaces:
Johnson Pump 09-1027B-9
(Nitrile)



①**18-3075D**



18-3075
IMPELLER KIT

Replaces:
Johnson Pump 09-801B
Diameter 2 1/4" • Side Width 1 1/4"
For Johnson Pump # F4B-8007
(Neoprene)



18-3079
IMPELLER KIT

Replaces:
Johnson Pump 09-806B
Diameter 1 9/16" • Side Width 3/4"
(Neoprene)



18-3037
IMPELLER KIT

Replaces:
Johnson Pump 09-1029B-9
(Nitrile)

18-3078
IMPELLER KIT

Replaces:
Johnson Pump 09-1029B
Diameter 3 3/4" • Side Width 2 1/2"
For: Johnson Pump #'s F8B-3000, F8B500,
F8B-8007, F8B-50017
(Neoprene)



18-3306
IMPELLER KIT

Replaces: 09-812B

① Items ending in "D" are Display Packaged - Regular number is Non-Display

INBOARD










 <p>18-3586 WATER PUMP Replaces: Johnson Pump 10-24228-1 For Impeller Repair Kit use 18-3081</p>	 <p>18-3587 WATER PUMP Replaces: Johnson Pump 10-24232-1 For Impeller Repair Kit use 18-3089</p>	
 <p>18-3036 IMPELLER KIT Replaces: Johnson Pump 09-1026B-9 (Nitrile)</p>	 <p>18-3038 IMPELLER KIT Replaces: Johnson 09-1028B-9 (Nitrile)</p>	
 <p>18-3076 IMPELLER KIT Includes: Impeller & Gaskets Replaces: Johnson Pump 09-808B, 09-45589</p>	 <p>18-3089 WATER PUMP KIT Includes: Impeller, Seal, Gasket, End & Cover Screws Replaces: Johnson Pump 09-45825 Use with 18-3587 Pump</p>	
 <p>18-3510 WATER PUMP KIT Includes: Neoprene Impeller, Seal, Gasket, End & Cover Screws Replaces: Johnson Pump 09-45589 For: F35B-8 Pumps</p>	<p>PKG. OF 2</p>  <p>18-3125 18-3125-9^① WATER PUMP GASKET Replaces: 3298-0000</p>	 <p>18-3303 COVER PLATE GASKET Replaces: Johnson Pump 01-42401 For: Johnson Pump JN-F6</p>
<h3>IMPELLERS FOR OBERDORFER PUMPS</h3>		
 <p>18-3021 IMPELLER Replaces: Oberdorfer 6603 Diameter 2 9/16" • Side width 2" (Neoprene)</p>	 <p>18-3061 IMPELLER Replaces: Oberdorfer 8922 Sherwood 10615 12 FINS</p>	

① Priced per Package

INBOARD ACCESSORIES

Cooling System



<p>① 18-3075D </p>  <p>18-3075 IMPELLER KIT Replaces: Oberdorfer B6620 12 FINS</p>	 <p>18-3077 IMPELLER KIT Replaces: Oberdorfer C7441, Sherwood 18200 12 SPLINES 8 FINS</p>	 <p>18-3078 IMPELLER KIT Replaces: Oberdorfer 7054 12 SPLINES 9 FINS</p>
<p>PKG. OF 2</p>  <p>18-3140 18-3140-9^② WATER PUMP GASKET Replaces: Sherwood 10931</p>	 <p>18-3046 IMPELLER KIT Replaces: Sherwood 9959K with 18-3060 Impeller Replaces: Sherwood 9959</p>	 <p>18-3047 IMPELLER KIT Replaces: Sherwood 10615K with 18-3061 Impeller Replaces: Sherwood 10615</p>
 <p>18-3168 SEAL & SEAT Replaces: Sherwood 10927</p>	 <p>18-3169 SEAL & SEAT Replaces: Sherwood 12859, 12322</p>	 <p>18-3060 IMPELLER Replaces: Sherwood 9959 Onan 132-0317 12 FINS</p>

SHERWOOD COMPONENT APPLICATIONS

Pump #	Impeller Kit	Impeller	Seal & Seat Assembly	Pump #	Impeller Kit	Impeller	Seal & Seat Assembly	Pump #	Impeller Kit	Impeller	Seal & Seat Assembly
A-03	—	18-3060	—	G-50	18-3047	18-3061	18-3169	N-10460	—	18-3060	—
B-04	18-3047	18-3061	18-3168	G-55-2	—	18-3061	18-3169	N-10470	—	18-3060	—
C-03	18-3047	18-3061	18-3168	G-56	—	18-3061	18-3169	N-10510G	18-3046	18-3060	—
D-05	—	18-3061	18-3168	G-85	18-3047	18-3061	18-3169	P-101	—	18-3061	18-3169
	18-3046/ 18-3047	18-3060/ 18-3061	18-3168	G-1004	—	18-3061	—	P-102	—	18-3061	—
D-55	18-3046	18-3060	18-3168	G-1005	—	18-3061	—	P-105	18-3047	18-3061	—
D-60	18-3046	18-3060	18-3168	G-1006	—	18-3061	—		18-3046/ 18-3047	18-3060/ 18-3061	—
D-65	18-3046	18-3060	18-3168	G-85106	—	18-3061	18-3168	P-10550G	18-3047	18-3061	—
D-75	18-3046	18-3060	18-3168	H-85	—	18-3061	18-3169	P-10560G	18-3046	18-3060	—
E-35	—	18-3061	18-3168	J-70	—	18-3060	18-3169	P-10610G	18-3046	18-3060	—
F-10	18-3047	18-3061	18-3168	K-90	—	18-3061	18-3169	P-10650G	18-3046	18-3060	—
F-75	18-3047	18-3061	18-3168	L-10	—	18-3061	18-3069	P-10710G	18-3046	18-3060	—
F-95	—	18-3061	18-3168	L-10B	—	18-3061	18-3169	Q-10770G	18-3046	18-3060	—
G-3	—	18-3061	—	L-80	—	18-3061	18-3169	Q-10755G	—	18-3060	—
G-4	—	18-3061	—	L-90	—	18-3061	18-3169	Q-10855G	18-3046	18-3060	—
G-5	18-3047	18-3061	18-3169	L-9930G	18-3046	18-3060	—	R-40G	18-3046	18-3060	18-3168
G-5-1	—	18-3061	18-3169	M-70	—	18-3061	18-3169	R-101	—	18-3061	18-3168
G-7	—	18-3061	18-3169	M-71	—	18-3061	18-3169	R-102	—	18-3060	—
G-8	—	18-3061	—	M-10065G	—	18-3060	—	R-10870G	18-3046	18-3060	18-3168
G-7B	—	18-3061	18-3169	M-10180G	18-3046	18-3060	—	R-10920G	18-3046	18-3060	—
G-15	—	18-3060	18-3169	M-10210G	18-3046	18-3060	—	R-10930G	18-3046	18-3060	—
G-26	—	18-3061	18-3169	M-10263G	18-3046	18-3060	—	R-10935G	18-3046	18-3060	—
G-30-2	—	18-3060	18-3169	M-10264G	18-3046	18-3060	—	R-10970G	18-3046	18-3060	18-3168
G-30-2B	—	18-3060	18-3169	M-10270G	18-3046	18-3060	—	RP-B-C	—	18-3061	18-3168
G-45-1	—	18-3061	—	M-10280G	18-3046	18-3060	—	S-11040G	18-3046	18-3061	18-3168
G-45-2	—	18-3061	18-3169	N-10390G	18-3046	18-3060	—	S-11095G	—	18-3061	—
G-46	—	18-3061	18-3169	N-10410G	18-3046	18-3060	—				

① Items ending in "D" are Display Packaged - Regular number is Non-Display

② Priced per Package



18-2434
FLYWHEEL BELL HOUSING

Replaces:
Crusader 96938, Marine Power 0100-000,
Mercruiser 814309A1, Pleasurecraft R142006,
Volvo Penta 3857846-4, GM V-8's Big &
Small Block inboard/Ski models.



18-2589
TRANSMISSION OIL COOLER

- 1" Water Hose Connection
- 9" Tube Bundle Overall Length
- Approximately 12"
- Oil-6 GPM MAX Water 25 GPM MAX
- Shipped bare metal, ready for primer and factory paint finish.



18-2587
TRANSMISSION OIL COOLER

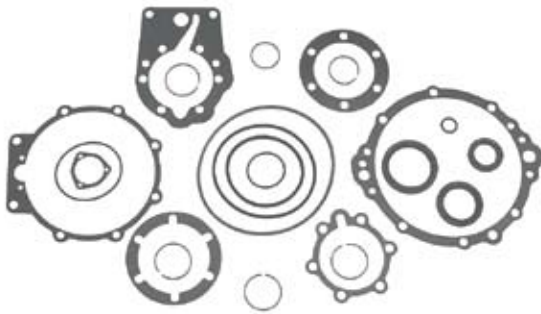
- Replaces: Mercruiser 99356A2
- Replacement Power Steering Cooler for Mercruiser
 - Power Steering Fluid-4 GPM MAX Water 25 GPM MAX
 - 6" tube bundle, overall length 8", 1 1/4" water inlet and outlet
 - Shipped bare metal, ready for primer and factory paint finish.



18-2588
TRANSMISSION OIL COOLER

- 1 1/4" Water Hose Connection
- 9" x 2" and 3/8" NPT Inlet/Outlet Oil Fitting
- Oil-6 GPM MAX Water 25 GPM MAX
- 10" tube bundle, overall length 12", 1 1/4" water inlet and outlet
- Shipped bare metal, ready for primer and factory paint finish.

TRANSMISSION REPAIR KITS



18-2590
SEAL KIT

- Replaces: Borg Warner A4876HA
- Service kit for Borg-Warner Velvet Drive 71 and 72 series transmission

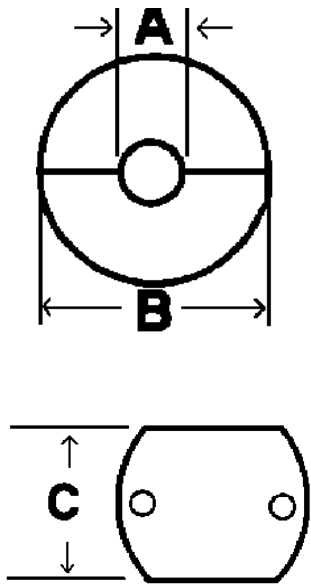


18-2591
OVERHAUL KIT

- Includes: Gaskets, Seals, Sealing Rings, Bronze and Steel Plates
- Service kit for Borg-Warner Velvet Drive 71 and 72 series transmission

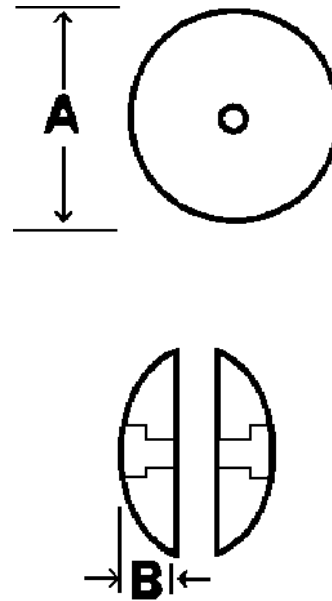
INBOARD ACCESSORIES

Anodes



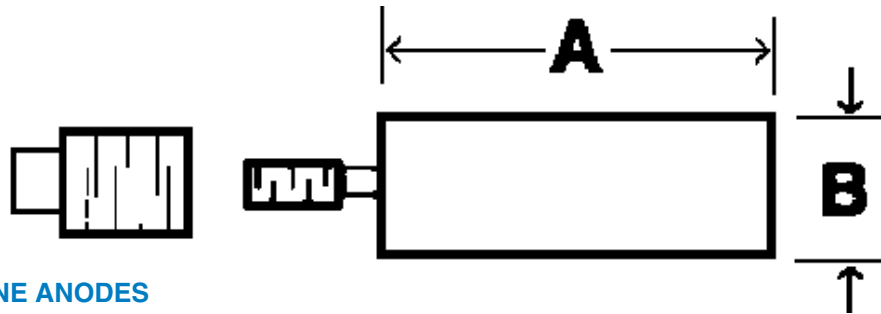
SHAFT ANODES

ZINC ANODES			NOMINAL DIMENSIONS					
PART #	NOM. WEIGHT		A—DIAMETER		DIMENSION B		DIMENSION C	
	LBS.	(KG)	IN.	(MM)	IN.	(MM)	IN.	(MM)
① 18-6040	.90	(.40)	1 1/8	(29)	2 1/8	(54)	2 1/8	(54)
18-6041-1	1.65	(.75)	1 1/4	(33)	2 5/8	(67)	2 1/2	(64)
18-6043-1	1.45	(.65)	1 1/2	(38)	2 1/2	(64)	2 1/2	(64)



RUDDER ANODES

ZINC ANODES			NOMINAL DIMENSIONS			
PART #	NOM. WEIGHT		A—DIAMETER		DIMENSION B	
	LBS.	(KG)	IN.	(MM)	IN.	(MM)
18-6045	.20	(.09)	1 7/8	(47)	1/4	(6)
18-6046	.90	(.40)	2 13/16	(71)	1/2	(13)
18-6047	1.40	(.64)	3 3/4	(95)	1/2	(13)
18-6107	—	—	5	(127)	5/8	(16)
18-6108	—	—	5 1/8	(130)	7/8	(22)
18-6109	—	—	6 1/2	(165)	7/8	(22)



COMPLETE ENGINE ANODES (with Brass Plug)

ZINC ANODES			NOMINAL DIMENSIONS					REPLACEMENT ANODE ONLY	
PART #	NOM. WEIGHT		A—LENGTH		B—DIAMETER		PLUGS (ips)		
	LBS.	(KG)	IN.	(MM)	IN.	(MM)	IN.	(MM)	
—	.12	(.05)	2-0	(50)	1/4	(6)	1/8	(3)	18-6050
18-6059	.10	(.05)	1 3/4	(44)	3/8	(10)	1/4	(6)	—
18-6060	.20	(.09)	2-0	(50)	1/2	(13)	3/8	(10)	18-6052
—	.20	(.09)	2-0	(50)	3/8	(10)	3/8	(10)	18-6053
18-6062	.30	(.14)	2-0	(50)	5/8	(16)	1/2	(13)	—
18-6063	.45	(.20)	2-0	(50)	3/4	(19)	3/4	(19)	—

① Includes Copper Contact Pins

STUFFING BOXES



AP #	Shaft Diameter
49409	1"
49410	1 1/8"
49411	1 1/4"

- ★ Durable Delrin/Selcon
- ★ Withstands High RPM
- ★ Corrosion Free
- ★ High Temperature Resistance

- ★ Constructed from non-corrosive engineered polymers
- ★ Compatible with all materials common to marine construction
- ★ Beveled glands force packing against shaft as it is tightened
- ★ Will not scar, bind, freeze or contribute to misalignment of shaft
- ★ Teflon packing is standard to reduce parasitic loss of power
- ★ Used in ski boats and racing boats

PACKING

PREMIUM SQUARE MARINE TEFLON PACKING

AP #	Diameter	Length*	Wt. (lbs.)	Pkg.
4720	1/8"	3 ft.	—	1
4730	1/8"	—	1	1
4721	3/16"	3 ft.	—	1
4731	3/16"	—	1	1
4722	1/4"	3 ft.	—	1
4732	1/4"	—	1	1
4723	5/16"	3 ft.	—	1
4733	5/16"	—	1	1
4724	3/8"	3 ft.	—	1
4734	3/8"	—	1	1
4725	1/2"	3 ft.	—	1
4735	1/2"	—	1	1

PREMIUM SQUARE MARINE LUBRICATED FLAX PACKING

AP #	Diameter	Length*	Wt. (lbs.)	Pkg.
4700	1/8"	3 ft.	—	1
4710	1/8"	—	1	1
4701	3/16"	3 ft.	—	1
4711	3/16"	—	1	1
4702	1/4"	3 ft.	—	1
4712	1/4"	—	1	1
4703	5/16"	3 ft.	—	1
4713	5/16"	—	1	1
4704	3/8"	3 ft.	—	1
4714	3/8"	—	1	1
4705	1/2"	3 ft.	—	1
4715	1/2"	—	1	1

* All 3 foot packing comes in display packaging



PROP NUT KITS

Part #	Shaft Dimensions
18-3739	1 - 1 1/8"
18-3736	1 1/4"
18-3734	1 1/2"



SHAFT KEY

Part #	Shaft Dimensions
18-2334	2 1/8" X 1/4"